

SCHAEFER



PRODUCT INFORMATION

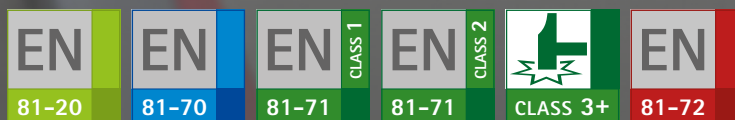
Pushbuttons VB 42 Class 3+ NA • VB 42 bicolor Class 3+ NA
Indicators VD 42 Class 3+ NA



E469509
Elevator Accessory

VB 42/VD 42 CLASS 3+ NA

EXTRA ROBUST PUSHBUTTON AND INDICATOR SERIES WITH PROTECTION AGAINST WATER AND VANDALISM



FEATURES AT A GLANCE

- » New pushbutton design with matching indicators
- » Protection against water and vandalism
- » Degree of protection IP 65 according to DIN EN 60529
- » Twice as strong as required according to EN 81-71 Class 2
- » Mirrored or matted chrome housing rim
- » Stronger acknowledgement lighting
- » Studless mounting via plastic nut
- » Standard or bicolor acknowledgement lighting



HIGHER WATER PROTECTION

IP 65 according to DIN EN 60529



GREATER IMPACT RESISTANCE

Twice as strong as required



HIGHER FIRE RESISTANCE

33% more resistant as required

EXTRA ROBUST AND CLASSY

APPLICATION » IDEALLY SUITED TO HIGH TRAFFIC, PUBLIC AND COMMERCIAL ELEVATORS WHERE ABUSE CAN OCCUR



Outwardly flawless and discreet in design. With bright, clearly recognisable acknowledgement. Framed by a chrome housing ring, optionally matt or mirrored. Robust and solid on the inside. The VB 42 Class 3+ NA pushbutton impresses with its new look and its further enhanced capabilities when it comes to vandalism resistance. With the Class 3+, SCHAEFER has set itself the task of offering a pushbutton that can withstand twice the impact force required by the strictest vandalism standard EN 81-71 Class 2. The VB 42 Class 3+ NA also complies with protection class IP 65.

The reinforced VB 42 Class 3+ NA requires the same cut-out as the VB 42 NA (EN 81-71 Class 2) and the entire RT 42 pushbutton series. This means that pushbuttons can be upgraded according to local requirements. The LED colors hyper red, blue, green, amber and white are available for acknowledgement. The VD 42 Class 3+ NA indicator is also available to match the more modern appearance with flattened rim and improved acknowledgement.

<https://schaefer-canada.com/style-42-class3>



Pushbutton **VB 42 Class 3+ NA**
with matted chrome housing rim



Pushbutton **VB 42 bicolor Class 3+ NA**
with mirrored chrome housing rim



Indicator **VD 42 Class 3+ NA**
with engraved and colored symbol

TECHNICAL SPECIFICATIONS

Technical specifications · VB 42/VD 42 Class 3+ NA









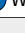
	VB 42 Class 3+ NA	VB 42 bicolor Class 3+ NA	VD 42 Class 3+ NA
Mounting			
Plastic nut	✓	✓	✓
Faceplate thickness	1–15 mm [0.039–0.591"]	1–15 mm [0.039–0.591"]	1–15 mm [0.039–0.591"]
Installation depth	30.6 mm [1.205"]	30.6 mm [1.205"]	30.6 mm [1.205"]
Wiring			
Screw terminal	3, 4 poles	2, 3, 4 poles	4 poles
Wire gauge	0.1–1 mm ² [AWG 28–18]	0.1–1 mm ² [AWG 28–18]	0.1–1 mm ² [AWG 28–18]
Wire material	Cu	Cu	Cu
Torque	0.17 Nm [1.5 lbf inch]	0.17 Nm [1.5 lbf inch]	0.17 Nm [1.5 lbf inch]
Switching element			
Snap switch	✓	✓	✗
Actuating force	5 N [1.124 lbf]	5 N [1.124 lbf]	✗
Stroke	1.3 mm [0.051"]	1.3 mm [0.051"]	✗
SPST (NO) contact	1	1	—
Electrical rating	0.1 A/30 V DC	0.1 A/30 V DC	✗
SPDT contact	1	1	—
Electrical rating	0.1 A/50 V AC 0.1 A/48 V DC	0.1 A/50 V AC 0.1 A/48 V DC	✗
Electrical data			
P	150 VA/60 W	150 VA/60 W	150 VA/60 W
LED			
U	12–30 V AC/DC	12–30 V DC	12–30 V AC/DC
U (option)	30–48 V AC/DC	—	30–48 V AC/DC
I	20 mA	20 mA	20 mA
Miscellaneous			
Degree of protection ⁽¹⁾	IP 65	IP 65	IP 65
Average service life tested	10,000,000 operations	10,000,000 operations	—
Operating temperature range	0–55 °C [32–131 °F]	0–55 °C [32–131 °F]	0–55 °C [32–131 °F]
Standard compliance			
Enclosure rating (UL/CSA)	Type 3R	Type 3R	Type 3R
EN 81-20	✓	✓	✓
EN 81-70 ⁽²⁾	✓	✓	✓
EN 81-71 Class 1	✓	✓	✓
EN 81-71 Class 2	✓	✓	✓
EN 81-72	✓	✓	✓

(1) According to standard DIN EN 60529

(2) **Please note:** To meet the standard EN 81-70 embossed signs/symbols are required (e. g. embossed directly onto the touchplate or in combination with tactile labels).

AVAILABLE OPTIONS

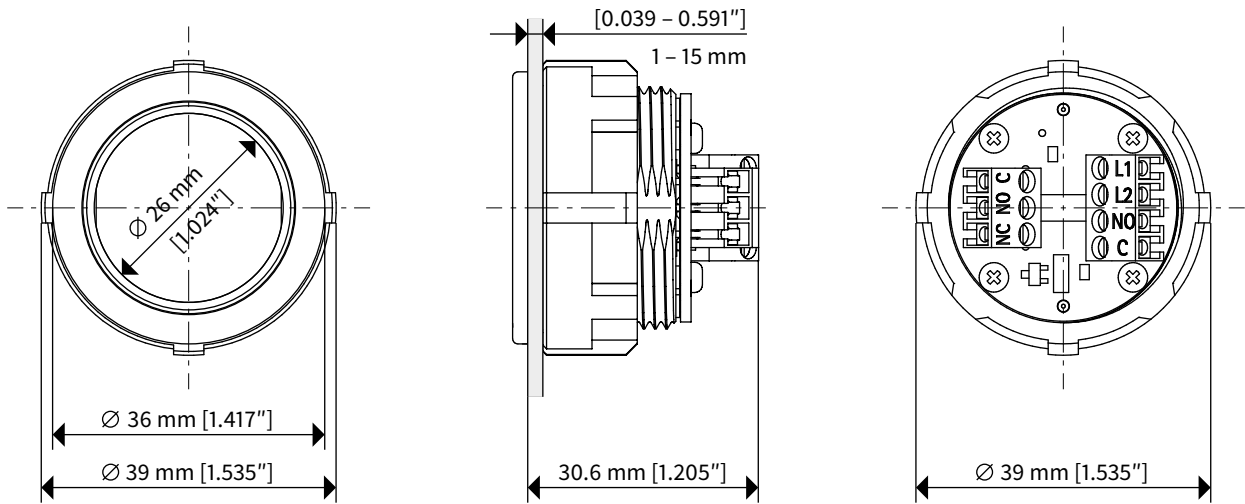
Available options · VB 42/VD 42 Class 3+ NA

	VB 42 Class 3+ NA	VB 42 bicolor Class 3+ NA	VD 42 Class 3+ NA
Housing rim			
04 Cr-p, chrome, mirrored	✓	✓	✓
05 Cr-m, chrome, matted	✓	✓	✓
Touchplate / Plate			
01 Stainless steel, matted	✓	✓	✓
02 Stainless steel, matted, TiN coated	on request	on request	on request
03 Stainless steel, #8 mirrored, black	✓	✓	✓
04 Stainless steel, #8 mirrored	on request	on request	on request
05 Stainless steel, #8 mirrored, TiN coated	on request	on request	on request
07 Stainless steel, #4 brushed	on request	on request	on request
10 Stainless steel, RAL 9010 white	on request	on request	on request
11 Stainless steel, RAL 3000 red	on request	on request	on request
12 Stainless steel, RAL 6018 green	on request	on request	on request
13 Stainless steel, RAL color on request	on request	on request	on request
15 Stainless steel, matted, anti fingerprint	on request	on request	on request
16 Copper (Cu), hygienic material	on request	on request	on request
17 St. steel, matted, ivory, hygienic material	on request	on request	on request
LED Colour			
1h  Hyper red	✓	✗	✓
20  Blue	✓	✗	✓
30  Green	✓	✗	✓
40  White	✓	✗	✓
50  Amber	✓	✗	✓
41h   White / Hyper red (bicolor)	✗	✓	✗
42   White / Blue (bicolor)	✗	✓	✗
Marking			
00 Without	✓	✓	✓
01 Engraving	✓	✓	✓
02 Laser	✓	✓	✓
03 Embossing without Braille	✓	✓	✓
LED Voltage			
12 – 30 V AC/DC	✓	✗	✓
30 – 48 V AC/DC	✓	✗	✓
12 – 30 V DC	✗	✓	✗

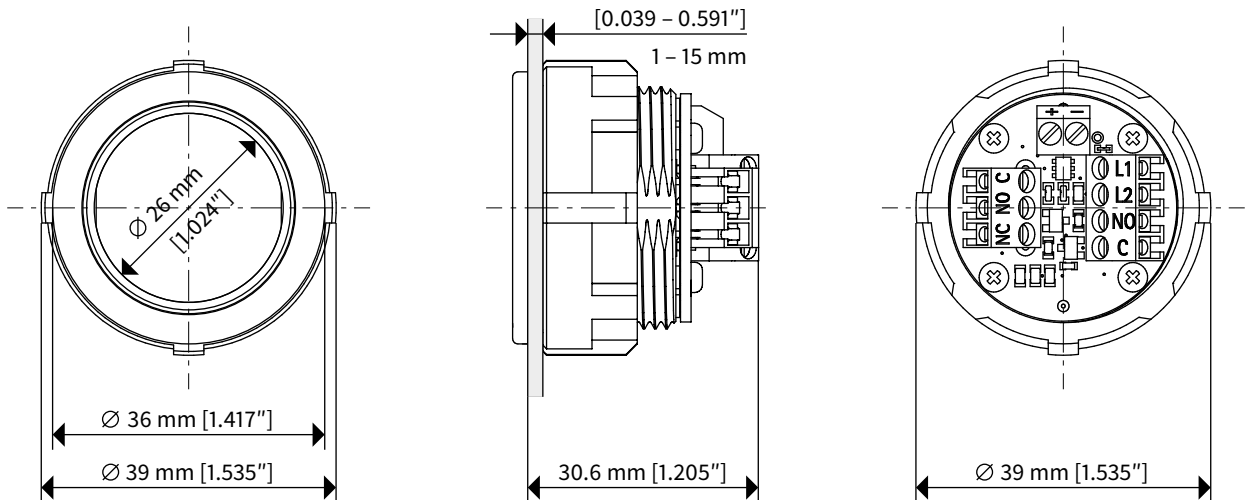
DIMENSIONS

Dimensions • VB 42/VD 42 Class 3+ NA

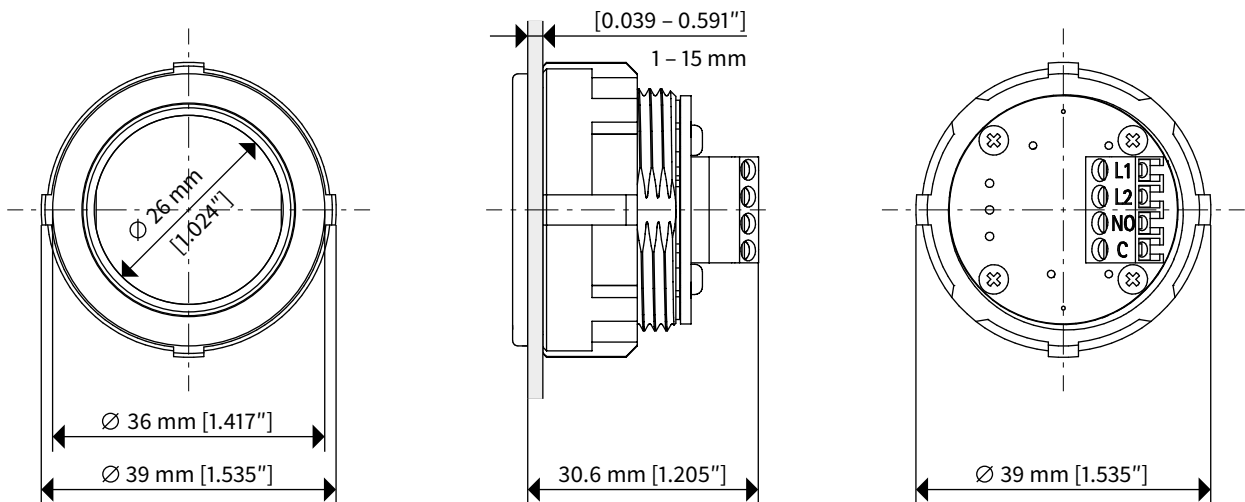
Pushbutton VB 42 Class 3+ NA



Pushbutton VB 42 bicolor Class 3+ NA

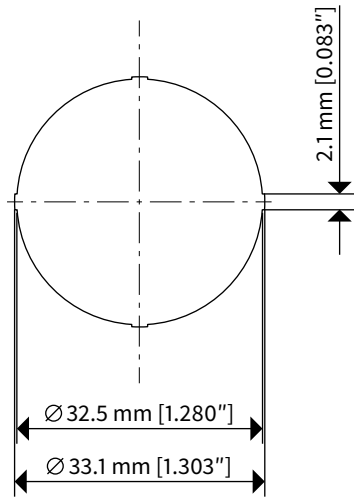


Indicator VD 42 Class 3+ NA



CUTOUT & MOUNTING

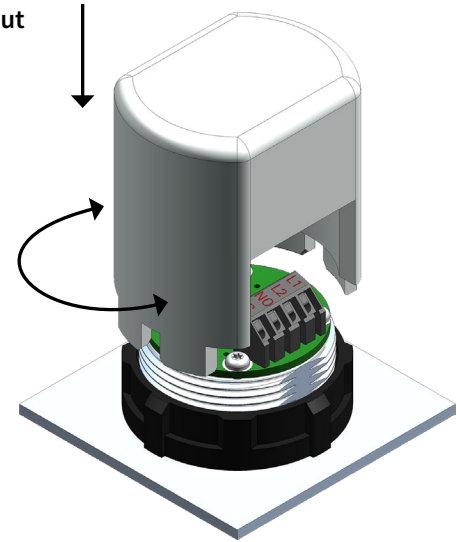
Cutout & Mounting · VB 42/VD 42 Class 3+ NA



Studless mounting via plastic nut

Locking plastic nut in clockwise direction

Unlocking plastic nut in counterclockwise direction

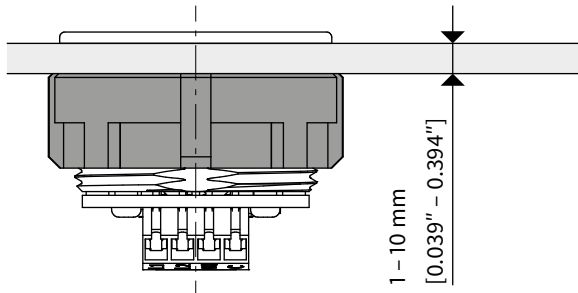


Cutout tolerances:

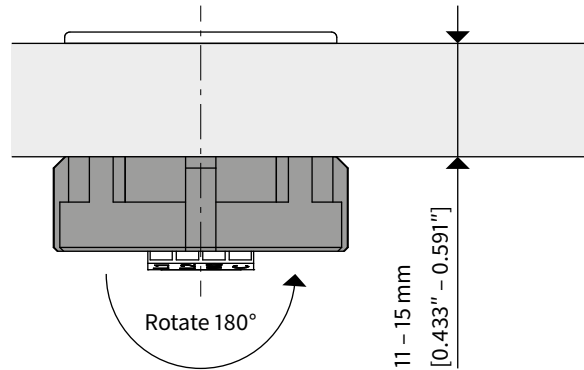
+0.05 mm / -0 mm [+0.002" / -0"]

Please note: The pushbuttons and indicators are only water protected when mounted correctly! For mounting we recommend the SCHAEFER Mounting Tool Style 42.

Faceplate thickness: 1 – 10 mm [0.039 – 0.394"]



Faceplate thickness: 11 – 15 mm [0.433 – 0.591"]



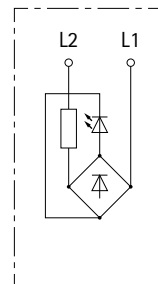
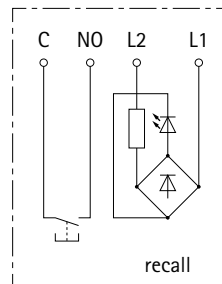
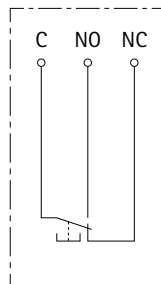
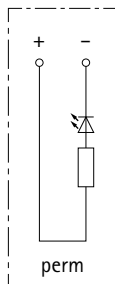
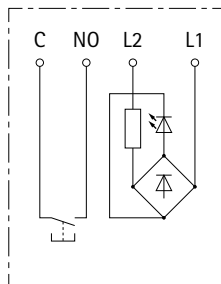
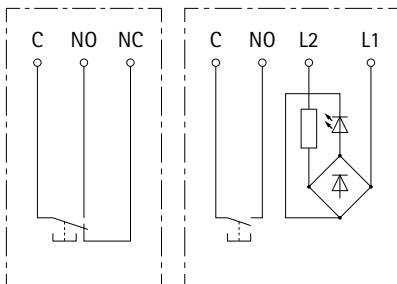
WIRING DIAGRAM

Wiring diagram · VB 42/VD 42 Class 3+ NA

VB 42 Class 3+ NA

VB 42 bicolor Class 3+ NA

VD 42 Class 3+ NA

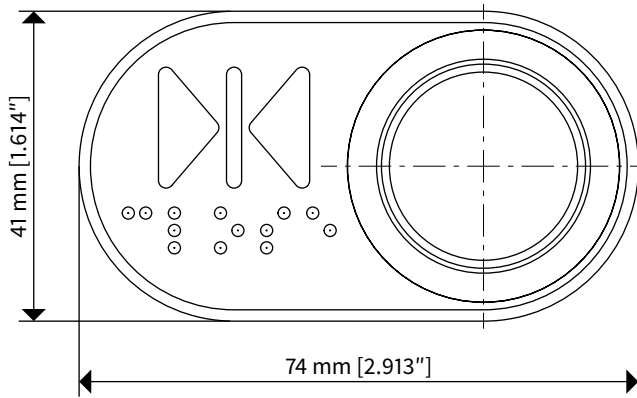


perm

recall

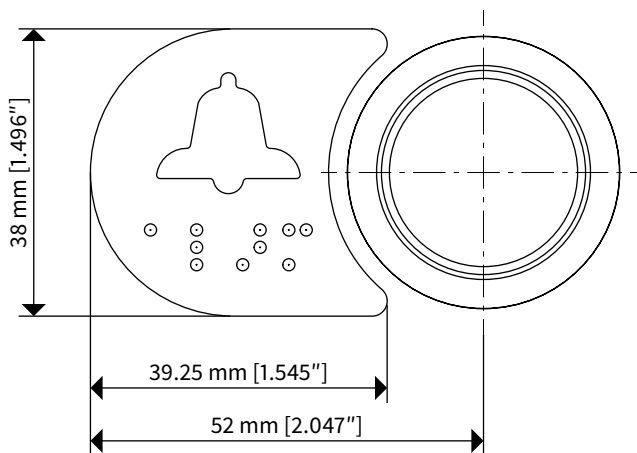
TACTILES

Labels • VB 42/VD 42 Class 3+ NA



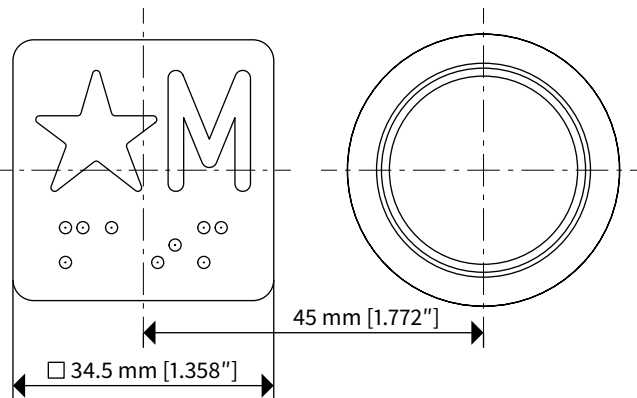
Label 42 R (surrounding)

Material: Aluminum, anodized, EV6 black •
St. steel, matted • St. steel, #8 mirrored •
St. steel, #8 mirrored, black
Marking: Embossing with Braille



Inlay Label 42 R (fishtail)

Material: Aluminum, anodized, EV6 black •
St. steel, matted • St. steel, #8 mirrored •
St. steel, #8 mirrored, black
Marking: Embossing with Braille



Inlay Label 34 Q (square)

Material: Aluminum, anodized, EV6 black •
St. steel, matted • St. steel, #8 mirrored •
St. steel, #8 mirrored, black
Marking: Embossing with Braille
Option: Inlay Label 34 R (round)

SCHAEFER tactiles comply with ADA standards and feature high contrast and large identifications.

SCHAEFER Elevator Components Inc.

#110 – 19347 24 Ave | Surrey, BC, V3Z 3S9 | Canada

Phone +1 778 731-2345 | Fax +1 778 731-2346 | Toll Free +1 844 351-2345

InfoCanada@ws-schaefer.com | <https://schaefer-canada.com>



<https://schaefer-canada.com>