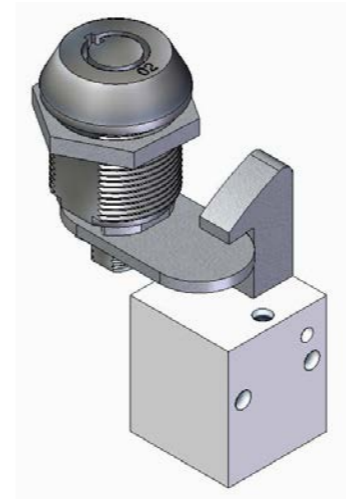
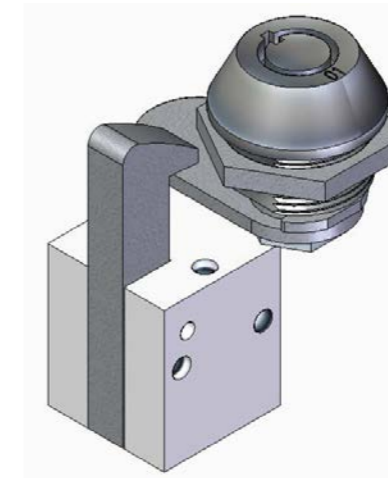


- Studless fixing (spacer & nut)
- Faceplate thickness: 0.039 - 0.12" / 1 - 3 mm
- 

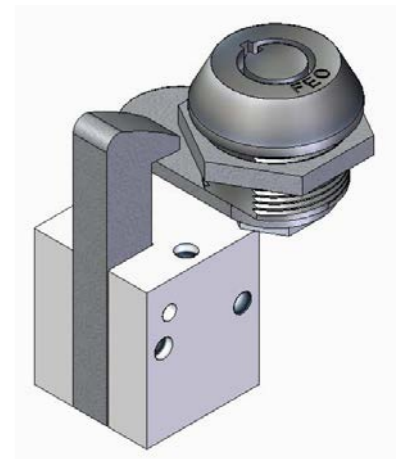
Central lock for COP

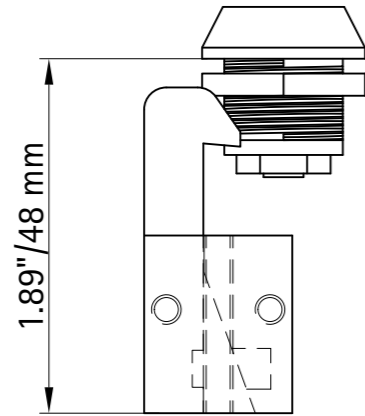
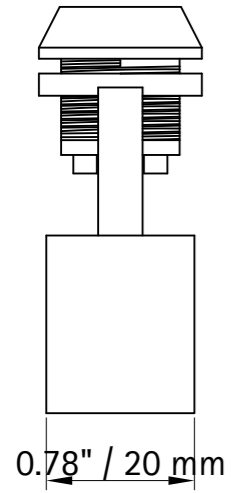


Central lock for Service Cabinet

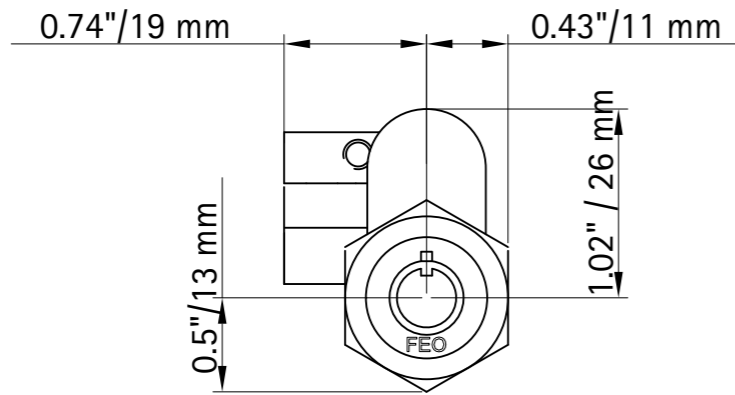
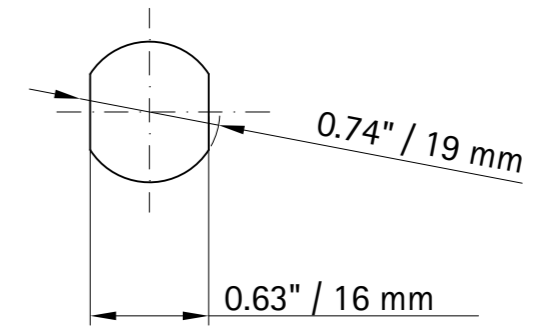
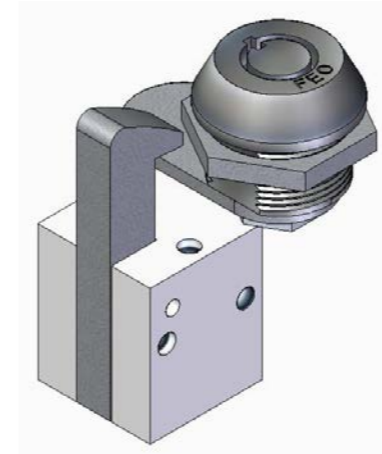


Central lock for FEO-Cabinet



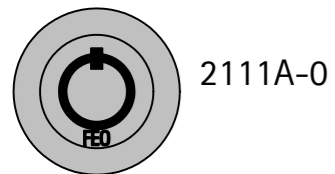


Key = Camlock (Cam)



Overview Key "Camlock"

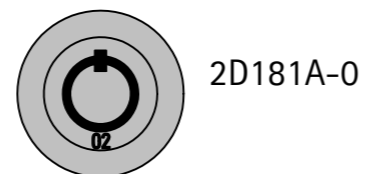
FEO



01



02



15

