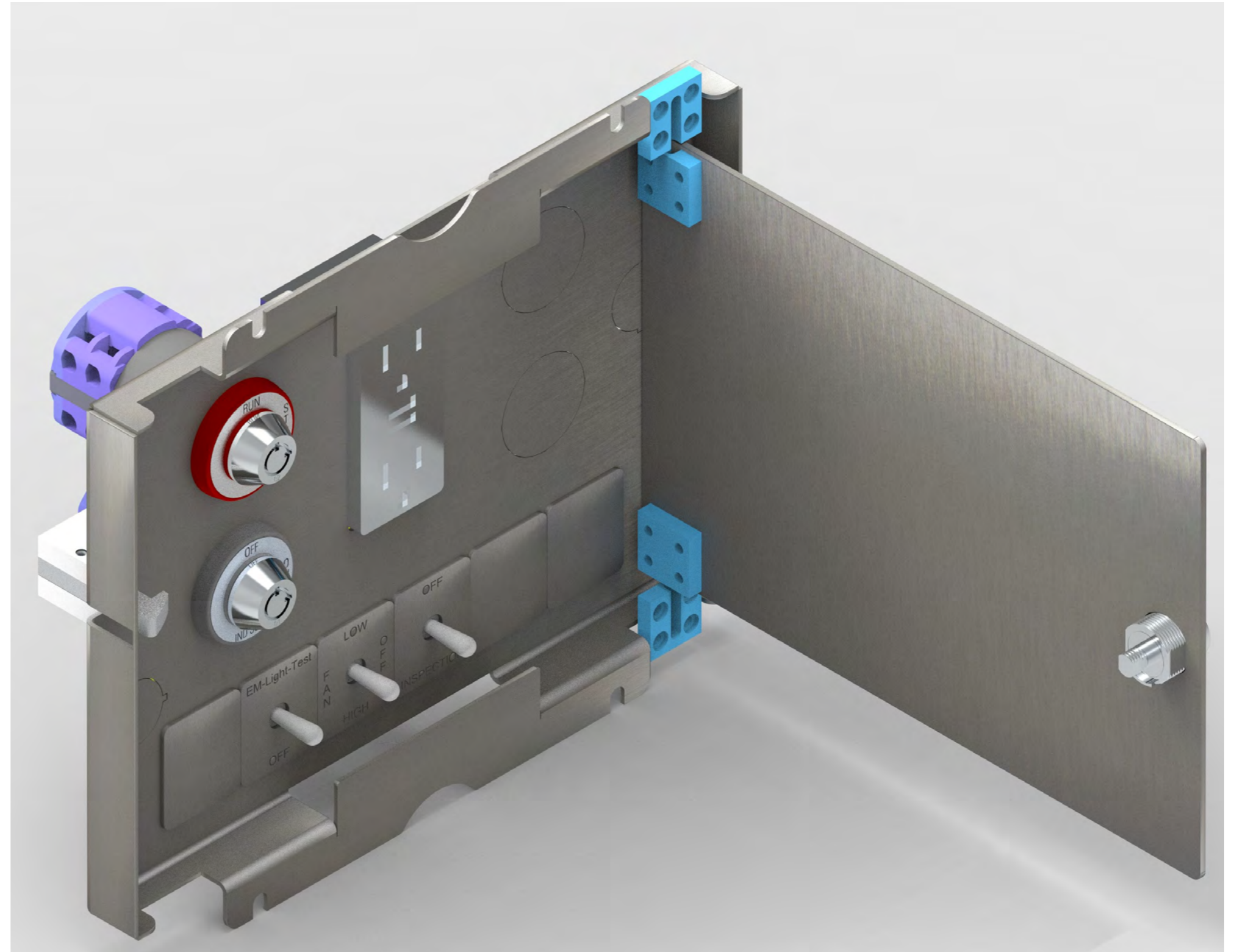


Service Cabinet for COPs

Standard : hinge left, hinge right

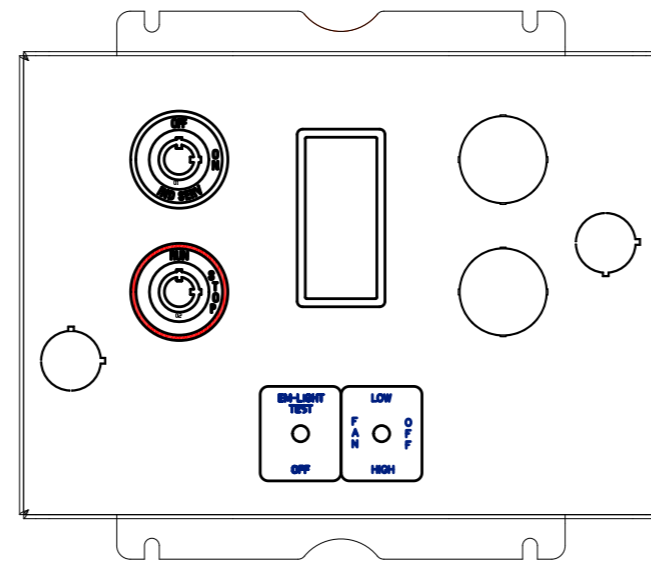
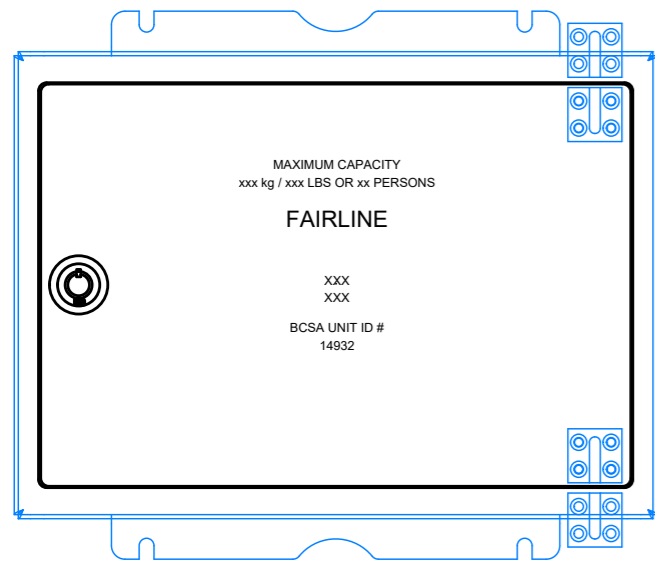
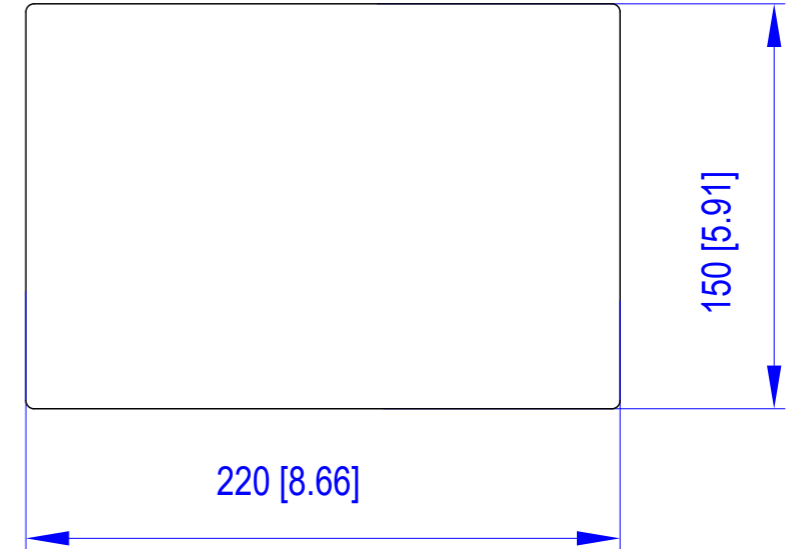
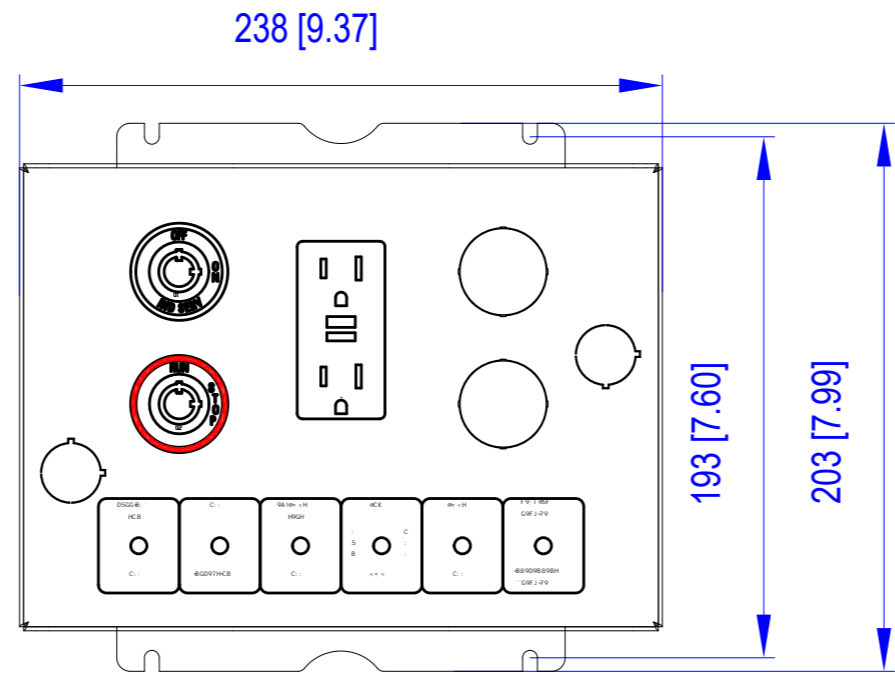
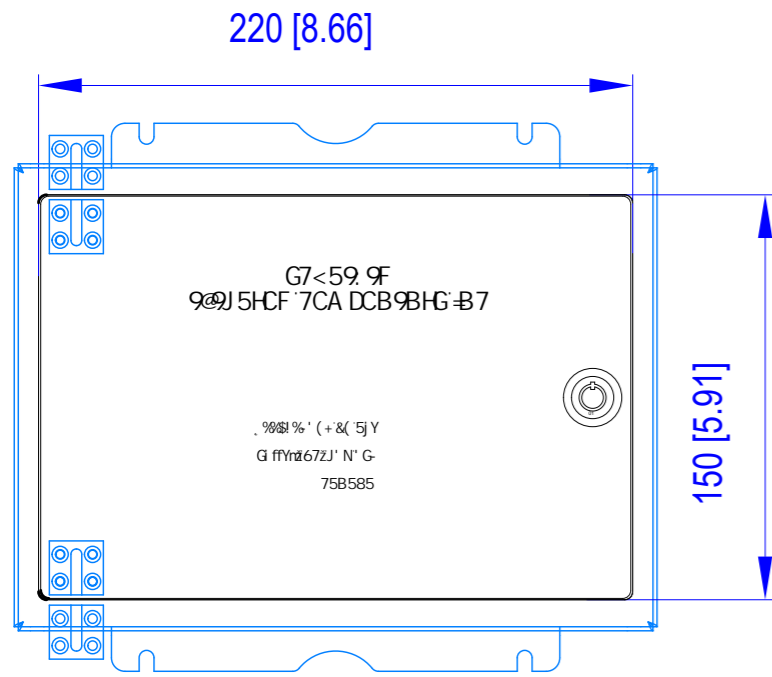
fastened with lock FEO

mounted with welding studs on the faceplate from COP



Service Box

Dimension: FEO





COP

1. Step, ,take out the faceplate, take the angles from the COP and screw them to your cabin

2. Step, screw the backbox back to the angles

3.Step, Hang up the front panel