

# SCHAEFER

## PRODUCT INFORMATION

Pushbuttons B 50 Q/R VIII (Class 3+) NA • B 50 Q/R IX (Class 3+) NA •  
B 50 Q/R VIII bicolor (Class 3+) NA • B 50 Q/R IX bicolor (Class 3+) NA  
Indicators D 50 Q/R NA

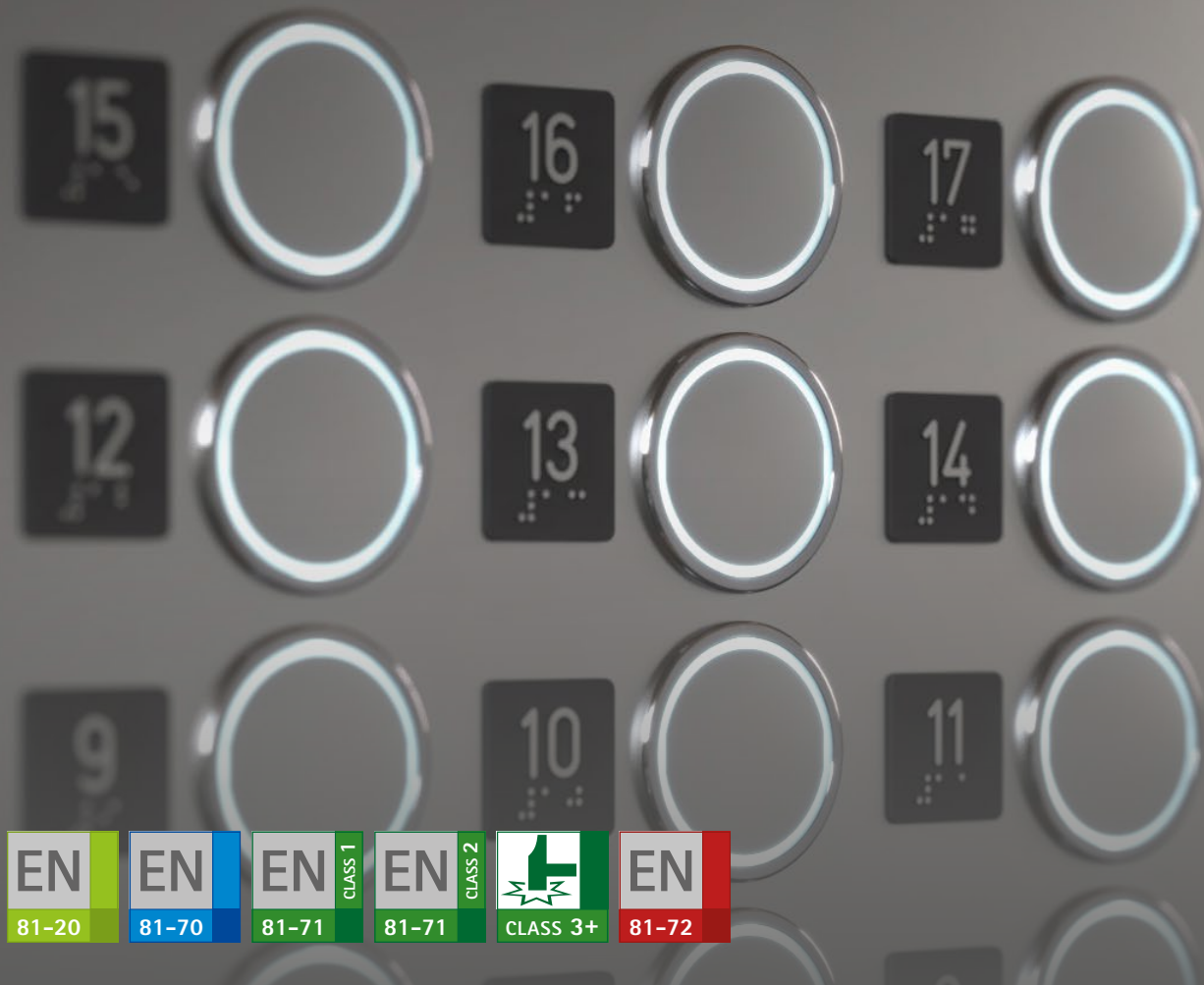


**E469509**

Elevator Accessory

# B 50 / D 50 NA

## ROUND AND SQUARE LARGE-SIZE PUSHBUTTON AND INDICATOR SERIES



### FEATURES AT A GLANCE

- » Large-size XL pushbutton and indicator series with outer dimensions of 58 mm [2.283"]
- » Optionally: pushbuttons with protection against water and vandalism according to EN 81-72 Class 2 or SCHAEFER Class 3+
- » Pushbuttons in 3-wire (VIII) or 4-wire (IX) technology
- » Standard or bicolor acknowledgement lighting
- » 5 standard colors of choice and 5 bicolor combinations
- » Studless mounting via plastic nut

#### Option: Class 3+



#### WATER PROTECTION

IP 54 according to DIN EN 60529



#### GREATER IMPACT RESISTANCE

Twice as strong as required



#### HIGHER FIRE RESISTANCE

33% more resistant as required

# WHEN SIZE DOES MATTER

## APPLICATION » LARGE-SIZE OPERATING AND INDICATING ELEMENTS FOR ELEVATORS



A prominent housing rim in balanced combination with slightly convex surfaces and a considerable lateral length or diameter of 58 mm give the Style 50 its distinctive character. Illumination by LEDs is the standard. A luminous rim or an entirely lit surface for luminous indicators with plastic plate, comes in red light or in blue, green, amber or white LED lighting. In addition to the excellent ergonomics the simple installation, compliance with EN 81-20/EN 81-70 and optional

water and protection are further key qualities. B 50 is even available as a “real tough guy” with a probably almost unrivalled resistance against vandalism. Branded with the SCHAEFER term “Class 3+”, the B 50 comes in an especially reinforced design which offers more distinct protection against willful destruction than required by EN 81-71 Class 2.

<https://schaefer-canada.com/products/components/b-50.html>



Square pushbutton **B 50 Q NA**  
with matted chrome housing rim



Round pushbutton **B 50 R NA**  
with matted chrome housing rim



Indicator **D 50 Q NA** with mirrored  
chrome housing rim and inlay film

# TECHNICAL SPECIFICATIONS

## Technical specifications • B 50/D 50 NA

	B 50 Q/R VIII/IX NA	B 50 Q/R VIII/IX bicolor NA	D 50 Q/R NA
<b>Mounting</b>			
Plastic nut and spacer	✓	✓	✓
Faceplate thickness	1 – 10 mm [0.039 – 0.394"]	1 – 10 mm [0.039 – 0.394"]	1 – 10 mm [0.039 – 0.394"]
Installation depth	30 mm [1.181"]	27.5 mm [1.083"]	30 mm [1.181"]
<b>Wiring</b>			
Screw terminal	3, 4 poles	2, 3, 4 poles	2, 3 poles
Screw terminal (wire gauge)	0.1 – 1 mm <sup>2</sup> [AWG 28 – 18]	0.1 – 1 mm <sup>2</sup> [AWG 28 – 18]	0.1 – 1 mm <sup>2</sup> [AWG 28 – 18]
Screw terminal (torque)	0.17 Nm [1.5 lbf inch]	0.17 Nm [1.5 lbf inch]	0.17 Nm [1.5 lbf inch]
IDC terminal	4 poles	✗	5 poles
IDC terminal (wire gauge)	0.1 – 0.14 mm <sup>2</sup> [AWG 28 – 26]	✗	0.1 – 0.14 mm <sup>2</sup> [AWG 28 – 26]
Micro-Match connector	4 poles	✗	2 × 4 poles
Micro-Match connector (wire gauge)	0.1 mm <sup>2</sup> [AWG 28]	✗	0.1 mm <sup>2</sup> [AWG 28]
Wire material	Cu	Cu	Cu
<b>Switching element</b>			
Snap switch	✓	✓	✗
Actuating force	5 N [1.124 lbf]	5 N [1.124 lbf]	✗
Stroke	1.5 mm [0.059"]	1.5 mm [0.059"]	✗
<b>SPST (NO) contact</b>	<b>1</b>	<b>1</b>	—
Electrical rating	0.5 A/30 V DC	0.5 A/30 V DC	✗
<b>SPDT contact</b>	<b>1</b>	<b>1</b>	—
Electrical rating	1 A/50 V AC 0.5 A/30 V DC	1 A/50 V AC 0.5 A/30 V DC	✗
<b>LED</b>			
U	12 – 30 V DC	12 – 30 V DC	12 – 30 V DC
U (option)	30 – 48 V DC 6 V DC	30 – 48 V DC 6 V DC	30 – 48 V DC 6 V DC
I	40 mA	45 mA	40 mA
<b>Miscellaneous</b>			
Degree of protection <sup>(1)</sup>	IP 40 (IP 54 <sup>(2)</sup> )	IP 40 (IP 54 <sup>(2)</sup> )	IP 40
Average service life tested	5,000,000 operations	5,000,000 operations	—
Operating temperature range	0 – 55 °C [32 – 131 °F]	0 – 55 °C [32 – 131 °F]	0 – 55 °C [32 – 131 °F]
<b>Standard compliance</b>			
Enclosure rating (UL/CSA)	Type 1 (Type 3R <sup>(2)</sup> )	Type 1 (Type 3R <sup>(2)</sup> )	Type 1
EN 81-20	✓	✓	✓
EN 81-70 <sup>(3)</sup>	✓	✓	✓
EN 81-71 Class 1	option	option	✗
EN 81-71 Class 2	option	option	✗
EN 81-72	option	option	✗
















(1) According to standard DIN EN 60529

(2) Only version Class 2 or Class 3+

(3) **Please note:** To meet the standard EN 81-70 embossed signs/symbols are required (e. g. embossed directly onto the touchplate or in combination with tactile labels).

# AVAILABLE OPTIONS

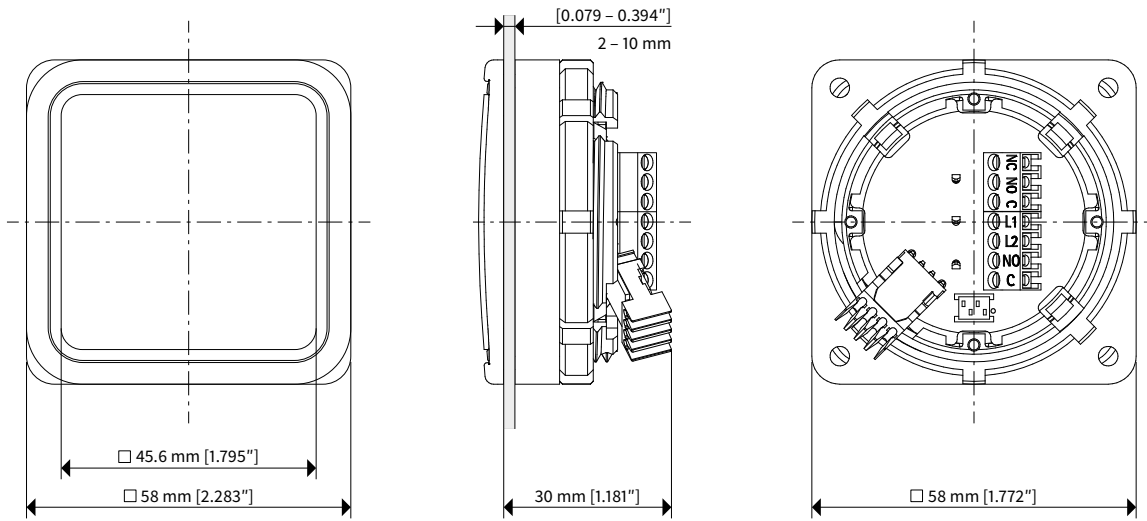
## Available options • B 50/D 50 NA

	B 50 Q/R VIII/IX NA	B 50 Q/R VIII/IX bic. NA	D 50 Q/R NA
<b>Housing rim</b>			
01 Plastic, chrome	on request	on request	on request
03 Plastic, black	on request	on request	on request
04 Cr-p, chrome, mirrored	✓	✓	✓
05 Cr-m, chrome, matted	✓	✓	✓
06 Stainless steel, #8 mirrored, TiN coated	on request	on request	on request
07 Stainless steel, matted, TiN coated	on request	on request	on request
08 Stainless steel, #8 mirrored, black	on request	on request	on request
09 Stainless steel, matted, black	on request	on request	on request
<b>Touchplate / Plate</b>			
01 Stainless steel, matted	✓	✓	✓
02 Stainless steel, matted, TiN coated	on request	on request	✗
03 Stainless steel, #8 mirrored, black	on request	on request	✗
04 Stainless steel, #8 mirrored	on request	on request	✗
05 Stainless steel, #8 mirrored, TiN coated	on request	on request	✗
08 Aluminum (AlMg), anodized, EV6 black	on request	on request	✗
15 Stainless steel, matted, anti fingerprint	on request	on request	✗
16 Copper (Cu), hygienic material	on request	on request	✗
17 Stainless steel, matted, ivory, hygienic material	on request	on request	✗
20 Polycarbonate, crystal clear	✗	✗	✓
21 Polycarbonate, red	✗	✗	✓
<b>LED Color</b>			
10  Red	✓	✗	✓
20  Blue	✓	✗	✓
30  Green	✓	✗	✓
40  White	✓	✗	✓
50  Amber	✓	✗	✓
13   Red / Green (bicolor)	✗	✓	✗
23   Blue / Green (bicolor)	✗	✓	✗
25   Blue / Amber (bicolor)	✗	✓	✗
31   Green / Red (bicolor)	✗	✓	✗
42   White / Blue (bicolor)	✗	✓	✗
<b>Marking</b>			
00 Without	✓	✓	✓
01 Engraving	✓	✓	✓
02 Laser	✓	✓	✓
03 Embossing without Braille	✓	✓	✗
20 Inlay film	✗	✗	✓
<b>LED Voltage</b>			
12 – 30 V DC	✓	✓	✓
30 – 48 V DC	✓	✓	✓
6 V DC	✓	✓	✓

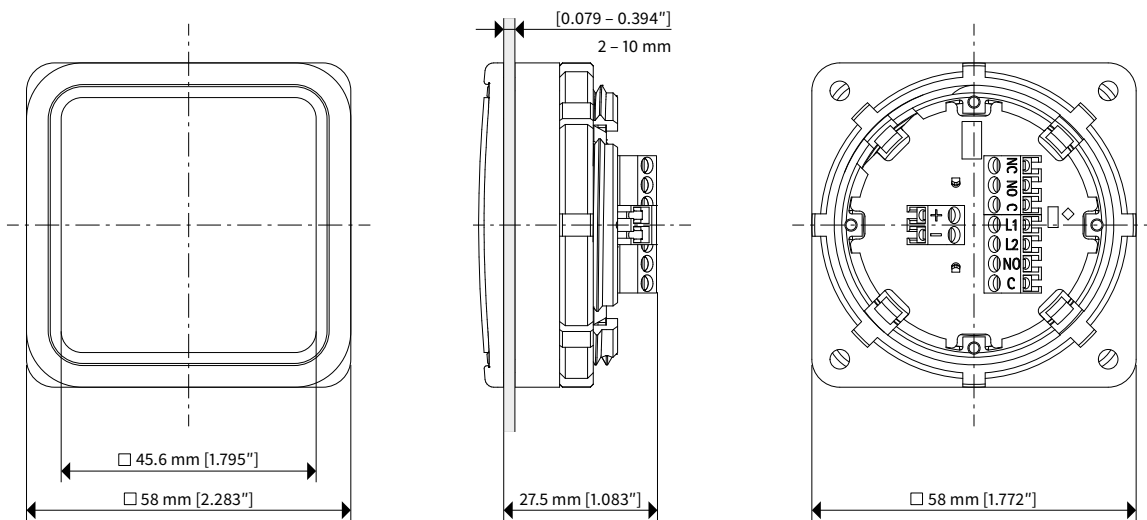
# DIMENSIONS

## Dimensions • B 50/D 50 NA

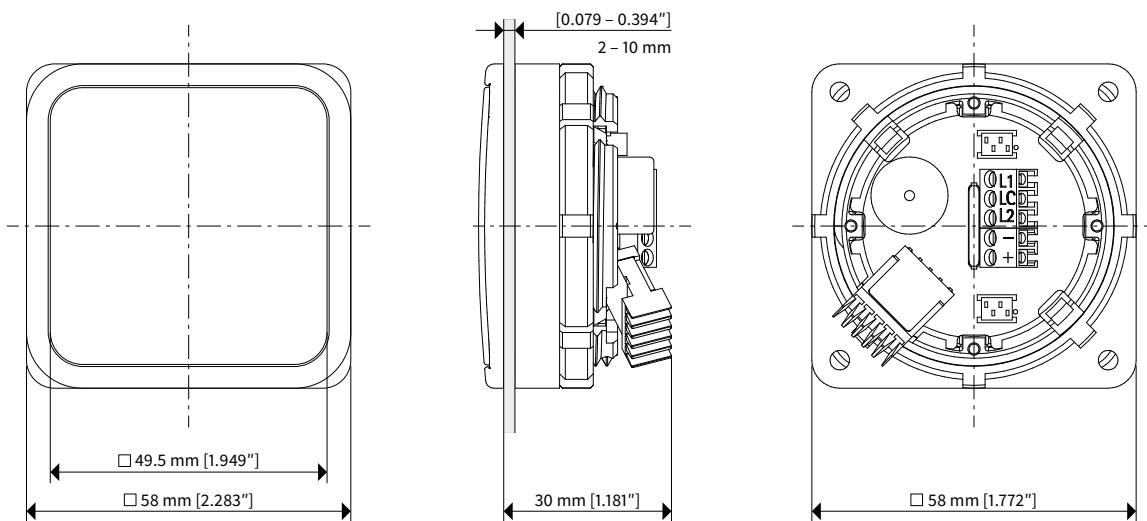
### Pushbutton B 50 Q VIII/IX NA



### Pushbutton B 50 Q VIII/IX bicolor NA



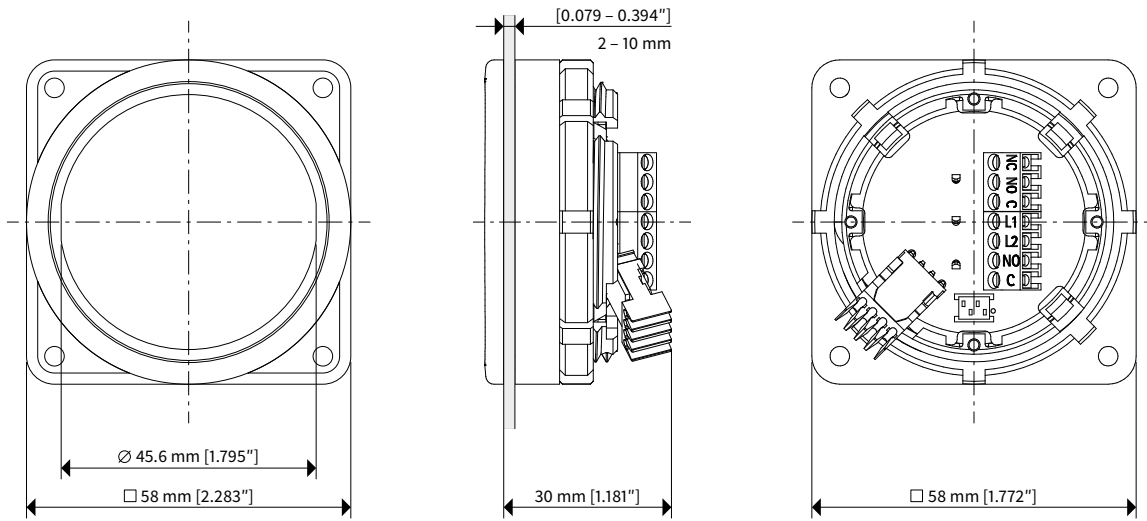
### Indicator D 50 Q NA



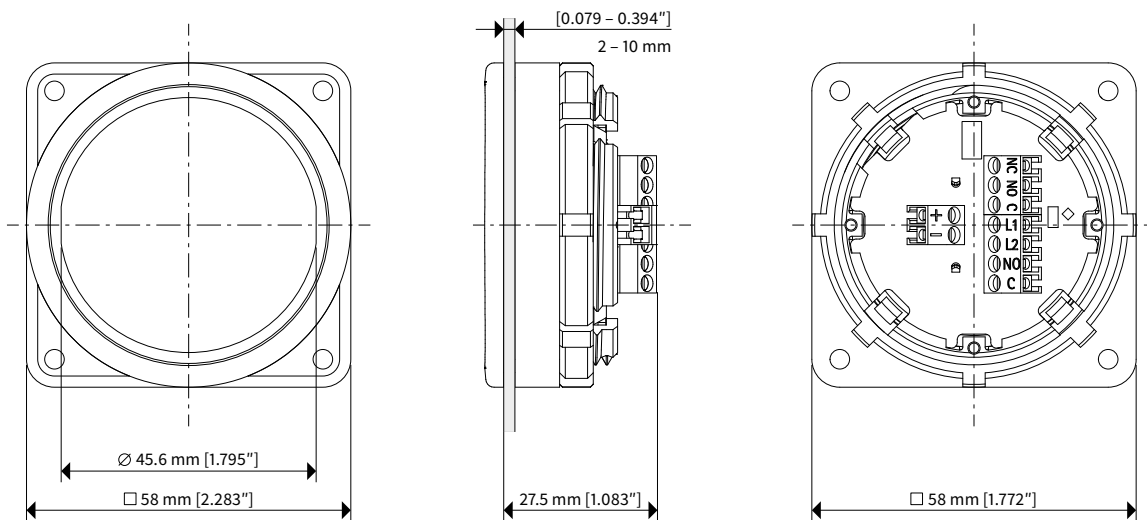
# DIMENSIONS

## Dimensions • B 50/D 50 NA

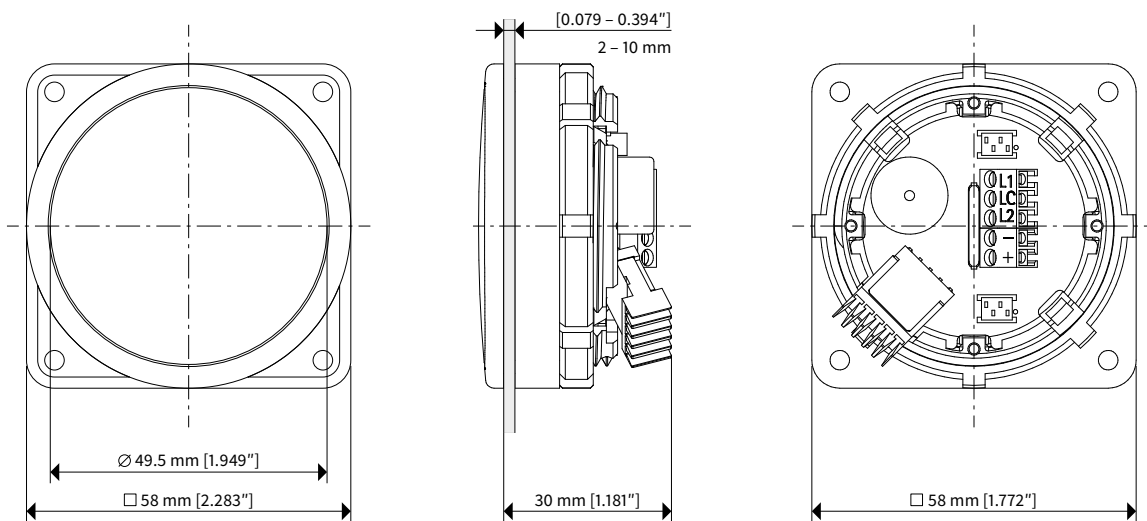
### Pushbutton B 50 R VIII / IX NA



### Pushbutton B 50 R VIII / IX bicolor NA



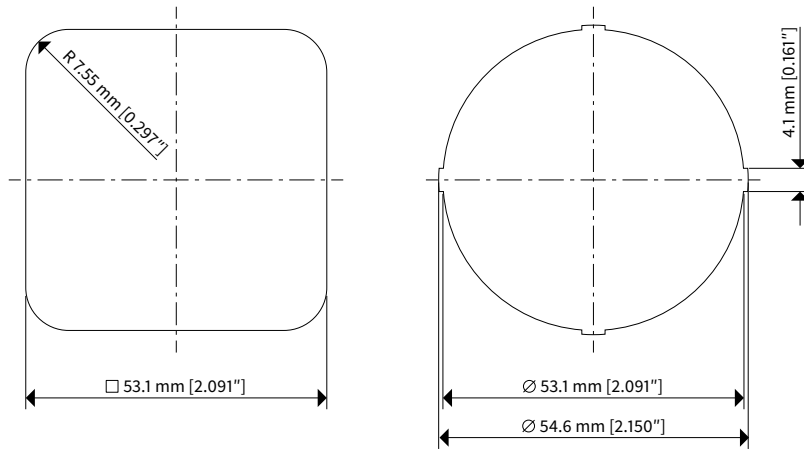
### Indicator D 50 R NA



# CUTOUT

## Cutout · B 50/D 50 NA

Q (square) · R (round)



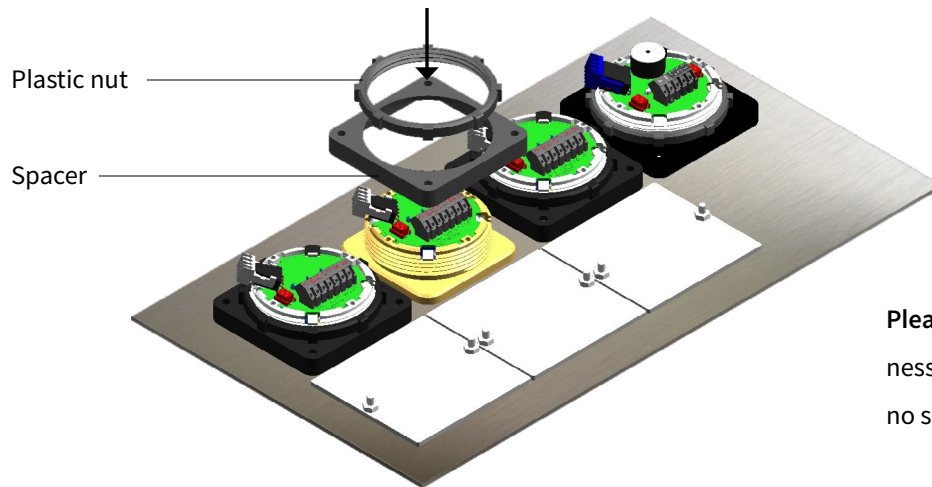
Cutout tolerances:

+0.05 mm / -0 mm [+0.002" / -0"]

# MOUNTING

## Mounting · B 50/D 50 NA

Studless mounting via plastic nut and spacer

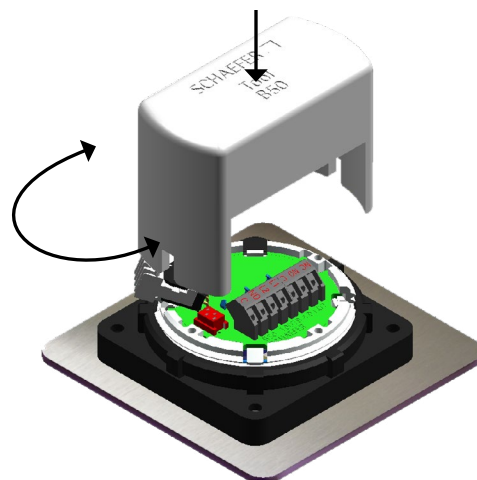


**Please note:** For faceplate thicknesses more than 6 mm [0.236"] no spacer is required.

Locking plastic nut in clockwise direction

Unlocking plastic nut in counterclockwise direction

**Please note:** For mounting we recommend the SCHAEFER Mounting Tool Style 50.



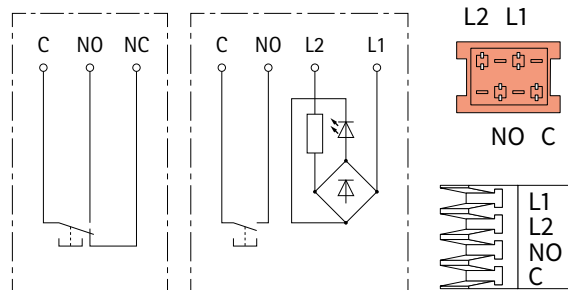
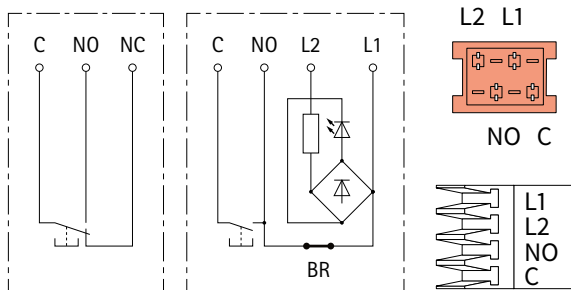


# WIRING DIAGRAM

## Wiring diagram · B 50/D 50 NA

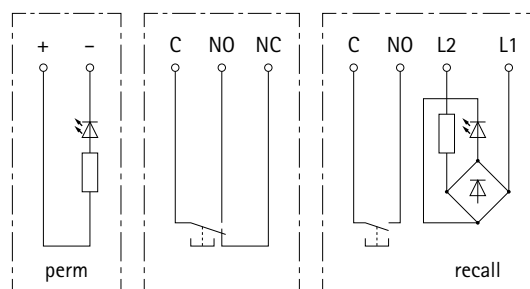
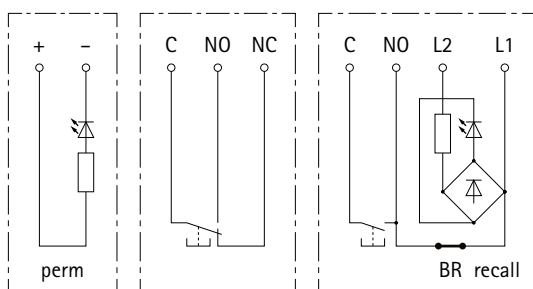
Pushbutton B 50 Q/R VIII NA

Pushbutton B 50 Q/R IX NA

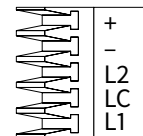
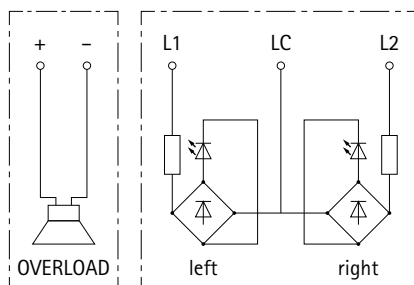
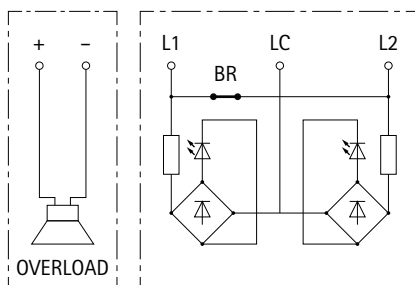


Pushbutton B 50 Q/R VIII bicolor NA

Pushbutton B 50 Q/R IX bicolor NA



Indicator D 50 Q/R NA



Full area illumination

Buzzer "Overload":

$U = 12 - 30 \text{ V DC} \cdot I = 10 \text{ mA}$

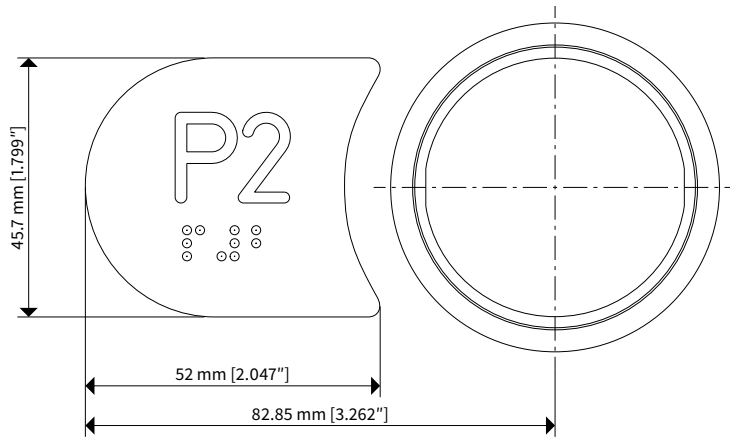
Seperate area illumination

Buzzer "Overload":

$U = 12 - 30 \text{ V DC} \cdot I = 10 \text{ mA}$

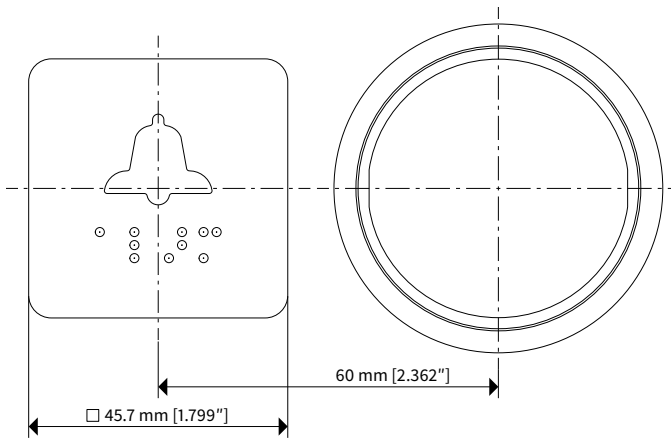
# TACTILES

## Labels • B 50/D 50 NA



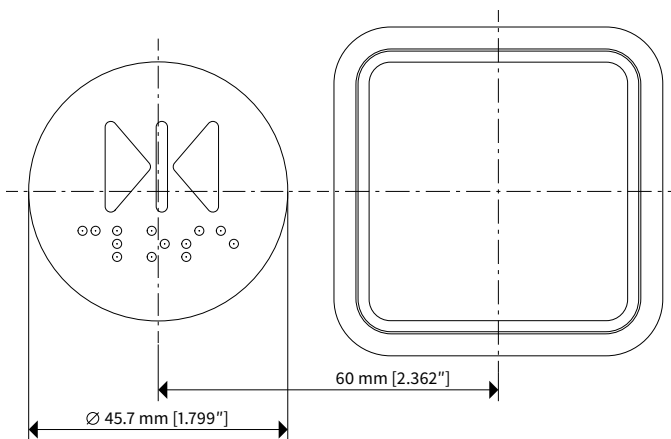
### Inlay Label 50 FT (fishtail)

Material: Aluminum, anodized, EV6 black •  
St. steel, matted • St. steel,  
#8 mirrored • St. steel, #8 mirrored, black  
Marking: Embossing with Braille



### Inlay Label 50 Q (square)

Material: Aluminum, anodized, EV6 black •  
St. steel, matted • St. steel,  
#8 mirrored • St. steel, #8 mirrored, black  
Marking: Embossing with Braille



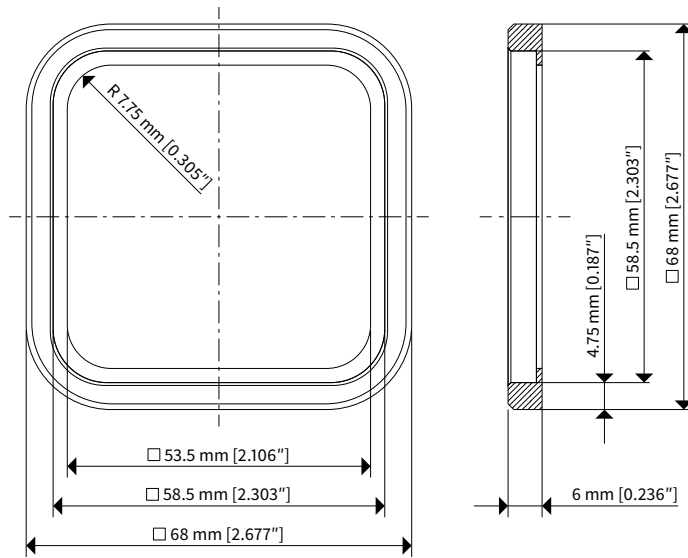
### Inlay Label 50 R (round)

Material: Aluminum, anodized, EV6 black •  
St. steel, matted • St. steel,  
#8 mirrored • St. steel, #8 mirrored, black  
Marking: Embossing with Braille

SCHAEFER tactiles comply with ADA standards and feature high contrast and large identifications.

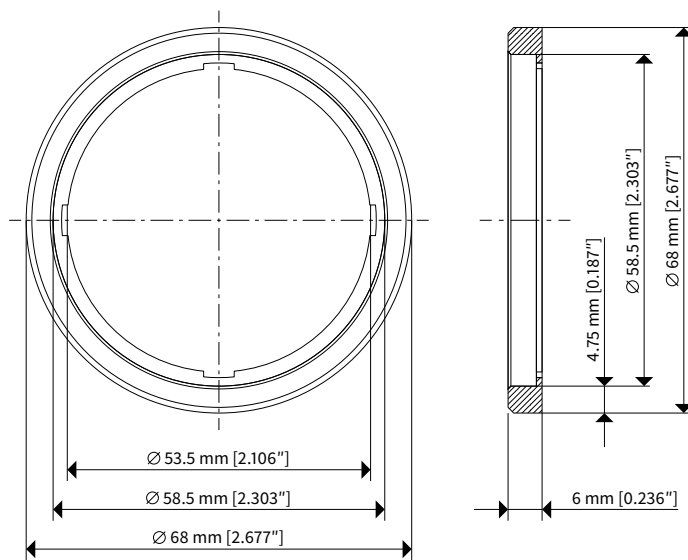
# COLLARS

## Collars · B 50 NA



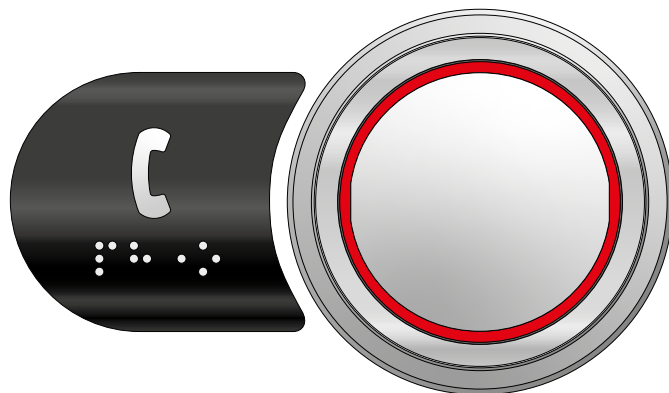
**Collar (square) for pushbutton B 50 Q NA**  
Protection against unintentional actuation.  
For mounting, the collars are clamped between the pushbutton and the faceplate.

Material: St. steel, matted



**Collar (round) for pushbutton B 50 R NA**  
Protection against unintentional actuation.  
For mounting, the collars are clamped between the pushbutton and the faceplate.

Material: St. steel, matted



### Application example:

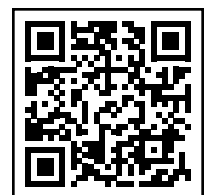
Pushbutton B 50 R NA with Inlay Label  
50 FT (fishtail) and collar

**SCHAEFER Elevator Components Inc.**

#110 – 19347 24 Ave | Surrey, BC, V3Z 3S9 | Canada

Phone +1 778 731-2345 | Fax +1 778 731-2346 | Toll Free +1 844 351-2345

InfoCanada@ws-schaefer.com | <https://schaefer-canada.com>



<https://schaefer-canada.com>