

SCHAEFER

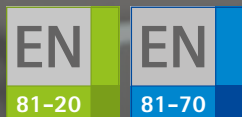


PRODUCT INFORMATION

Pushbuttons MT 42 IX NA • MT 42 IX bicolor NA • MT 42 2M XI NA
Indicators MA 42 IX NA

MT 42 / MA 42 NA

SQUARE STANDARD SIZE PUSHBUTTON AND INDICATOR SERIES



FEATURES AT A GLANCE

- » Thanks to their square shape the pushbuttons and indicators perfectly suits any elevator and adds to a classy impression
- » Ideally suited for homelift applications
- » Studless mounting via clip
- » Multi-Volt LEDs
- » Standard or bicolor acknowledgement lighting
- » 2M pushbutton with two contacts (SPST (NO) and SPDT) available

SQUARE, HANDY AND CLASSY

APPLICATION » IDEALLY SUITED FOR
HOMELIFT APPLICATIONS



This is what characterises the button type MT 42 excellently. Thanks to its square shape, it perfectly suits any elevator and adds to a classy impression. The matching indicators in various designs complement the harmonious overall appearance and offer enough space for adding special signs and symbols.

The button type MT 42 helps creating fixtures with clear lines. Thanks to a multitude of combinations including basic button elements, material, recall light, marking options or matching components, this modern design fits in everyday settings or even the most sophisticated surroundings.

<https://schaefer-canada.com/products/components/mt-42.html>



Pushbutton **MT 42 IX NA**
with mirrored st. steel housing rim



Pushbutton **MT 42 IX bicolor NA**
with mirrored st. steel housing rim



Indicator **MA 42 IX NA**
with inlay film

TECHNICAL SPECIFICATIONS

Technical specifications · MT 42 / MA 42 NA

	MT 42 IX NA	MT 42 IX bicolor NA	MT 42 2M XI NA	MA 42 IX NA
Mounting				
Clip fixing	✓	✓	✓	✓
Faceplate thickness	2–3 mm [0.079–0.118"]	2–3 mm [0.079–0.118"]	2–3 mm [0.079–0.118"]	2–3 mm [0.079–0.118"]
Faceplate thickness	1 mm [0.039"]	1 mm [0.039"]	1 mm [0.039"]	1 mm [0.039"]
with support plate (option)	1.5 mm [0.059"]	1.5 mm [0.059"]	1.5 mm [0.059"]	1.5 mm [0.059"]
Installation depth	27 mm [1.063"]	23 mm [0.906"]	23 mm [0.906"]	27 mm [1.063"]
Wiring				
Screw terminal	4 poles	2, 4 poles	3, 4 poles	4 poles
Wire gauge	0.1–2 mm ² [AWG 28–14]	0.1–1 mm ² [AWG 28–18]	0.1–1 mm ² [AWG 28–18]	0.1–2 mm ² [AWG 28–14]
Wire material	Cu	Cu	Cu	Cu
Torque	0.25 Nm [2.2 lbf inch]	0.17 Nm [1.5 lbf inch]	0.17 Nm [1.5 lbf inch]	0.25 Nm [2.2 lbf inch]
Switching element				
Snap switch	✓	✓	✓	✗
Actuating force	5 N [1.124 lbf]	5 N [1.124 lbf]	5 N [1.124 lbf]	✗
Stroke	0.5–0.8 mm [0.020–0.031"]	0.5–0.8 mm [0.020–0.031"]	1.5 mm [0.059"]	✗
SPST (NO) contact	1	1	1	–
Electrical rating	0.7 A/120 V AC 0.05 A/120 V DC 2 A/30 V DC	0.05 A/12–30 V AC 0.05 A/12–30 V DC	0.5 A/30 V AC 0.5 A/30 V DC	✗
SPDT contact	–	–	1	–
Electrical rating	✗	✗	1 A/50 V AC 0.5 A/30 V DC	✗
LED				
U	30–120 V AC/12–120 V DC	12–30 V DC	30 V AC/DC	30–120 V AC/12–120 V DC
U (option)	6 V DC	30–48 V DC	12 V AC/DC 6 V DC	6 V DC
I	40 mA	45 mA	40 mA	40 mA
Miscellaneous				
Degree of protection ⁽¹⁾	IP 40	IP 40	IP 40	IP 40
Average service life tested	5,000,000 operations	5,000,000 operations	5,000,000 operations	–
Operating temperature range	0–55 °C [32–131 °F]	0–55 °C [32–131 °F]	0–55 °C [32–131 °F]	0–55 °C [32–131 °F]
Standard compliance				
Enclosure rating (UL/CSA)	Type 1	Type 1	Type 1	Type 1
EN 81-20	✓	✓	✓	✓
EN 81-70 ⁽²⁾	✓	✓	✓	✓

(1) According to standard DIN EN 60529

(2) **Please note:** To meet the standard EN 81-70 embossed signs/symbols are required (e. g. embossed directly onto the touchplate or in combination with tactile labels).

AVAILABLE OPTIONS

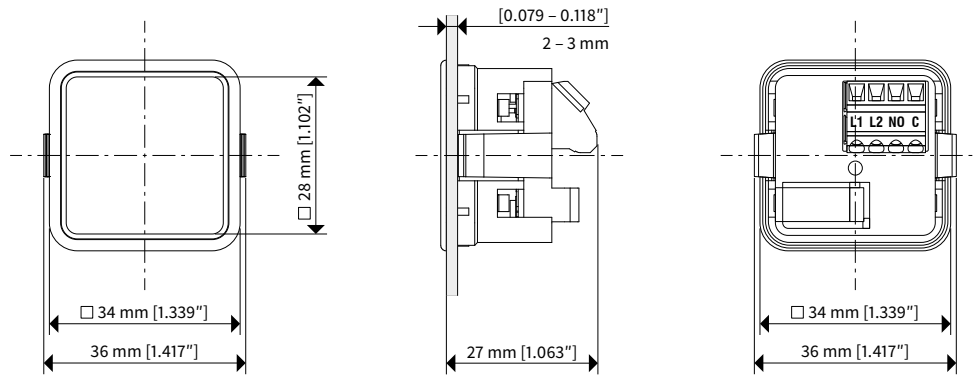
Available options • MT 42/MA 42 NA

	MT 42 IX NA	MT 42 IX bic. NA	MT 42 2M XI NA	MA 42 IX NA
Housing rim				
10	Stainless steel, #8 mirrored	✓	✓	✓
11	Stainless steel, #8 mirrored, TiN coated	on request	on request	on request
12	Stainless steel, #8 mirrored, black	on request	on request	on request
13	Stainless steel, #8 mirrored, bronze color	on request	on request	on request
Touchplate / Plate				
01	Stainless steel, matted	✓	✓	✗
02	Stainless steel, matted, TiN coated	on request	on request	✗
03	Stainless steel, #8 mirrored, black	on request	on request	✗
04	Stainless steel, #8 mirrored	on request	on request	✗
05	Stainless steel, #8 mirrored, TiN coated	on request	on request	✗
08	Aluminum (AlMg), anodized, EV6 black	on request	on request	✗
15	Stainless steel, matted, anti fingerprint	on request	on request	✗
16	Copper (Cu), hygienic material	on request	on request	✗
17	Stainless steel, matted, ivory, hygienic material	on request	on request	✗
20	Polycarbonate, crystal clear	✗	✗	✓
21	Polycarbonate, red	✗	✗	✓
LED Color				
10	● Red	✓	✗	✓
20	● Blue	✓	✗	✓
30	● Green	✓	✗	✓
40	○ White	✓	✗	✓
50	● Amber	✓	✗	✓
13	● Red ● Green (bicolor)	✗	✓	✗
23	● Blue ● Green (bicolor)	✗	✓	✗
25	● Blue ● Amber (bicolor)	✗	✓	✗
31	● Green ● Red (bicolor)	✗	✓	✗
42	○ White ● Blue (bicolor)	✗	✓	✗
Marking				
00	Without	✓	✓	✓
01	Engraving	✓	✓	✗
02	Laser	✓	✓	✓
03	Embossing without Braille	✓	✓	✗
20	Inlay film	✗	✗	✓
LED Voltage				
	30 – 120 V AC / 12 – 120 V DC	✓	✗	✓
	6 V DC	✓	✗	✓
	12 – 30 V DC	✗	✓	✗
	30 – 48 V DC	✗	✓	✗
	30 V AC / DC	✗	✗	✓
	12 V AC / DC	✗	✗	✓

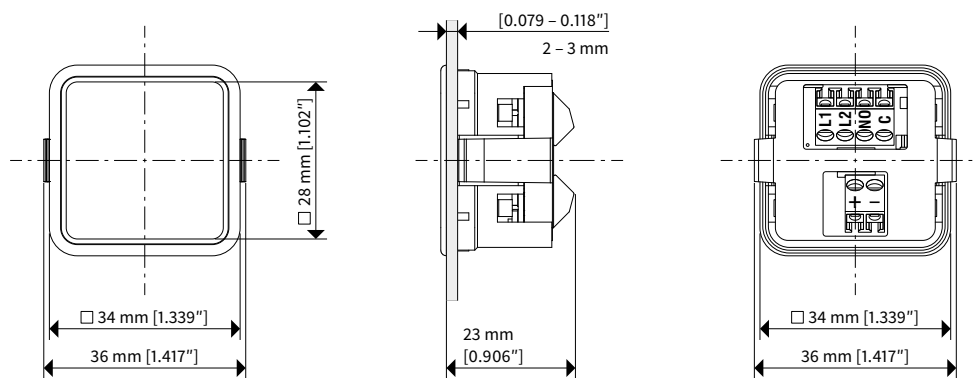
DIMENSIONS

Dimensions · MT 42/MA 42 NA

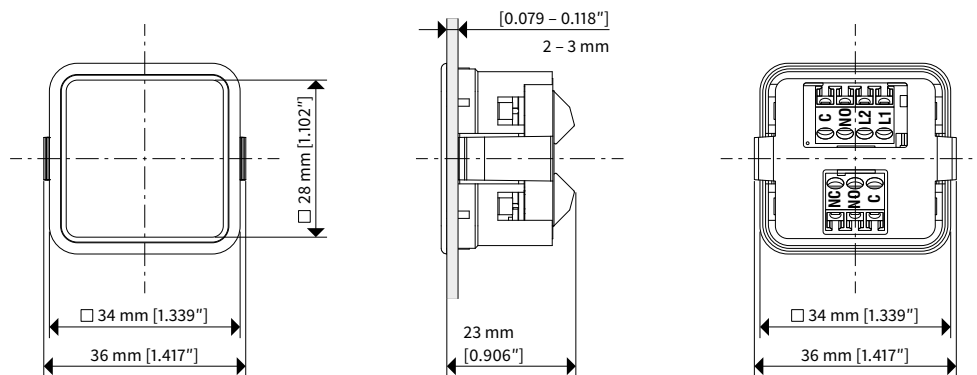
Pushbutton MT 42 IX NA



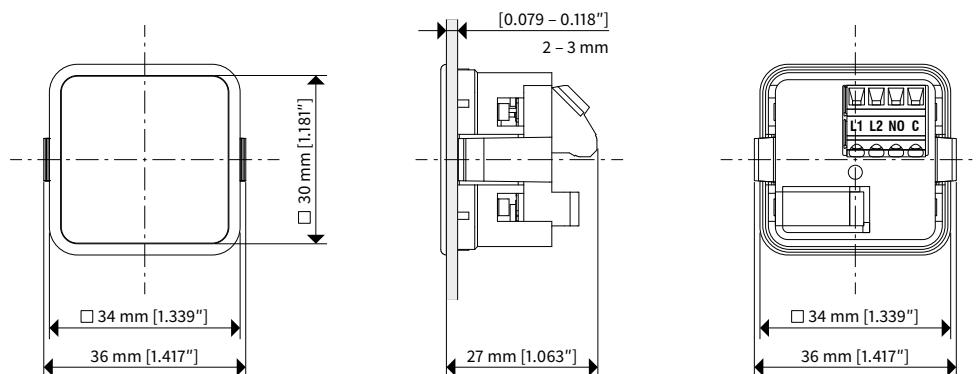
Pushbutton MT 42 IX bicolor NA



Pushbutton MT 42 2M XI NA



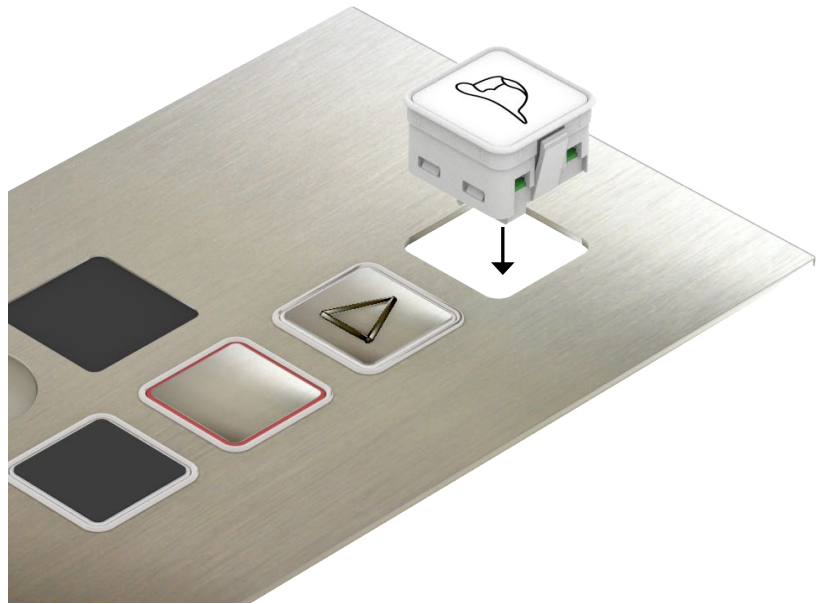
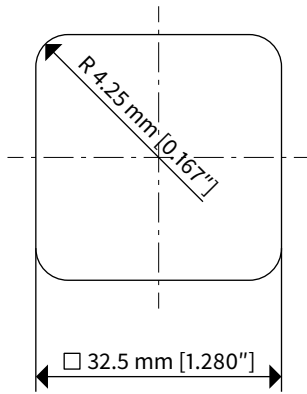
Indicator MA 42 IX NA



CUTOUT & MOUNTING

Cutout & Mounting · MT 42/MA 42 NA

Studless mounting via clip



Cutout tolerances:

+0.05 mm / -0 mm [+0.002" / -0"]

Please note: The pushbuttons and indicators are not UL listed! Suitable only for homelift applications!

WIRING DIAGRAM

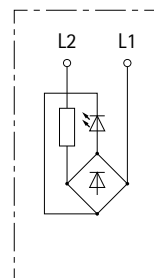
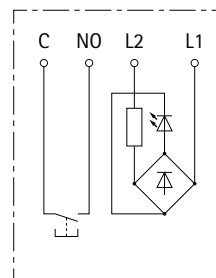
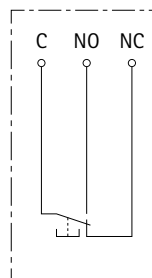
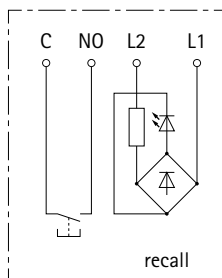
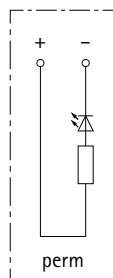
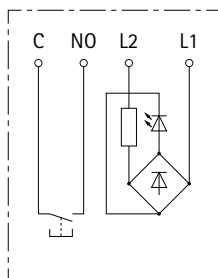
Wiring diagram · MT 42/MA 42 NA

MT 42 IX NA

MT 42 IX bicolor NA

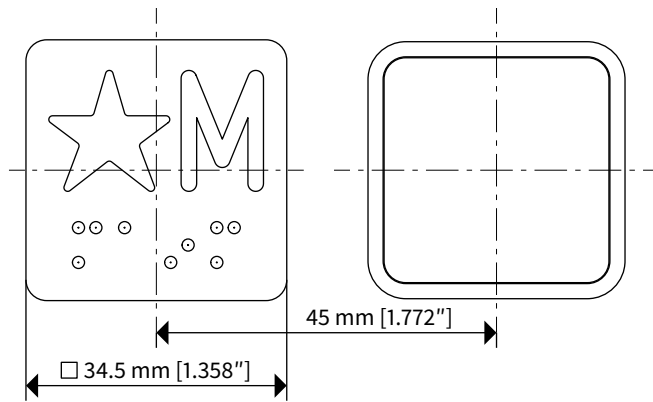
MT 42 2M XI NA

MA 42 IX NA



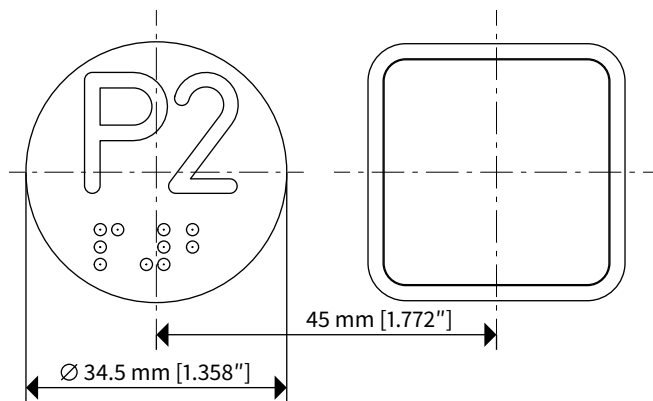
TACTILES

Labels • MT 42/MA 42 NA



Inlay Label 34 Q (square)

Material: Aluminum, anodized, EV6 black •
St. steel, matted • St. steel, #8 mirrored •
St. steel, #8 mirrored, black
Marking: Embossing with Braille



Inlay Label 34 R (round)

Material: Aluminum, anodized, EV6 black •
St. steel, matted • St. steel, #8 mirrored •
St. steel, #8 mirrored, black
Marking: Embossing with Braille

SCHAEFER tactiles comply with ADA standards and feature high contrast and large identifications.

SCHAEFER Elevator Components Inc.

#110 – 19347 24 Ave | Surrey, BC, V3Z 3S9 | Canada

Phone +1 778 731-2345 | Fax +1 778 731-2346 | Toll Free +1 844 351-2345

InfoCanada@ws-schaefer.com | <https://schaefer-canada.com>



<https://schaefer-canada.com>