

## Hall Lanterns Flush mounting

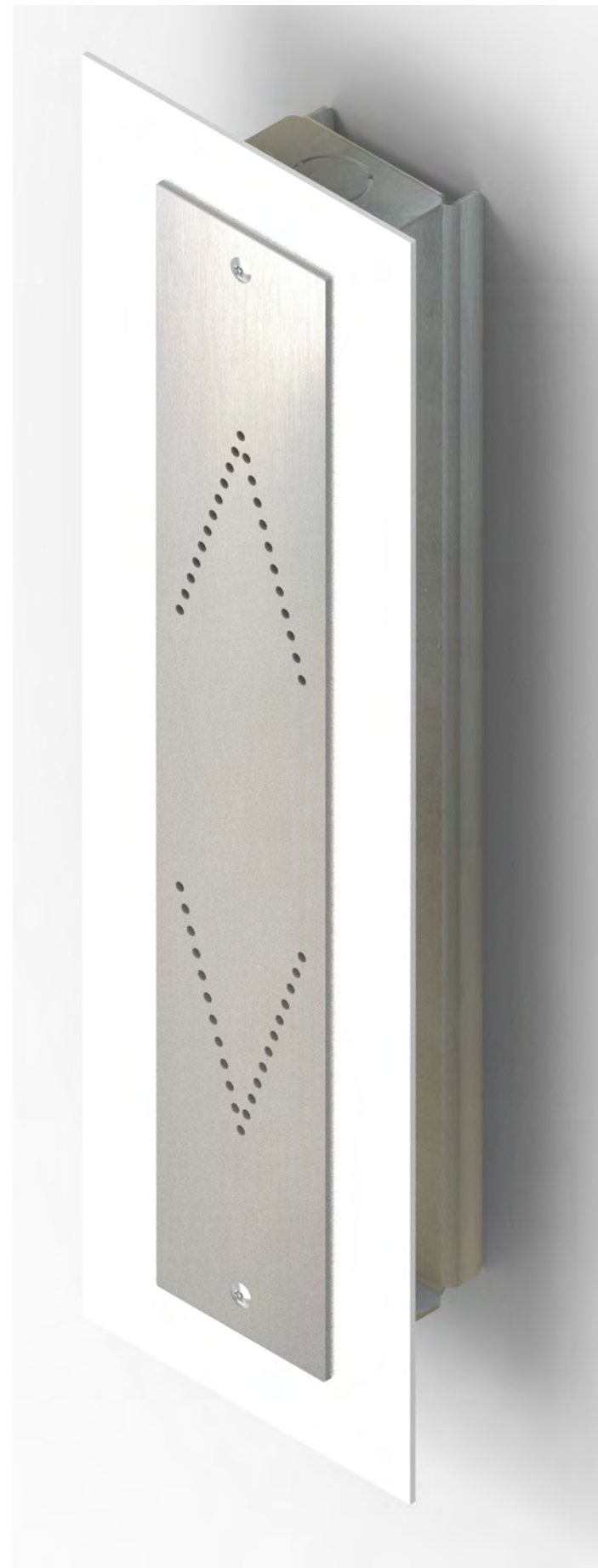
### Standard Dimension

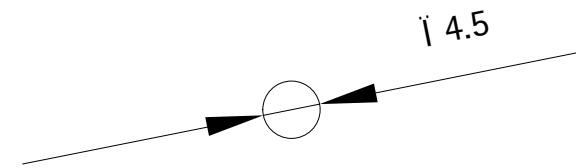
Width : 62 mm

Length : 350 mm

Depth behind the wall: 55 mm

other dimensions we manufacture according to your requirements





stainless steel M4 x 10, M4 x 16, M4 x 20  
 gold-coloured M4 x 10, M4 x 16, M4 x 20  
 black M4 x 16



raised countersunk head screw with Allen® head, similar to DIN 966, 2.5  
 zinc-plated M4 x 10  
 gold-coloured M4 x 10



two-hole raised countersunk head screw  
 stainless steel M4 x 12



countersunk screw with Allen® head, DIN 7991  
 stainless steel M4 x 10, M4 x 12, M4 x 16, M4 x 20, M4 x 25  
 black M4 x 10



raised countersunk head screw with inner Torx and pin  
 stainless steel M4 x 10

1. Step : make the cutout and drill and countersink screw holes for mounting the backbox

2. Step, Mount the backbox behind the wall

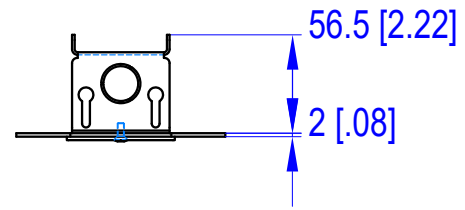
3. Mounting Faceplate



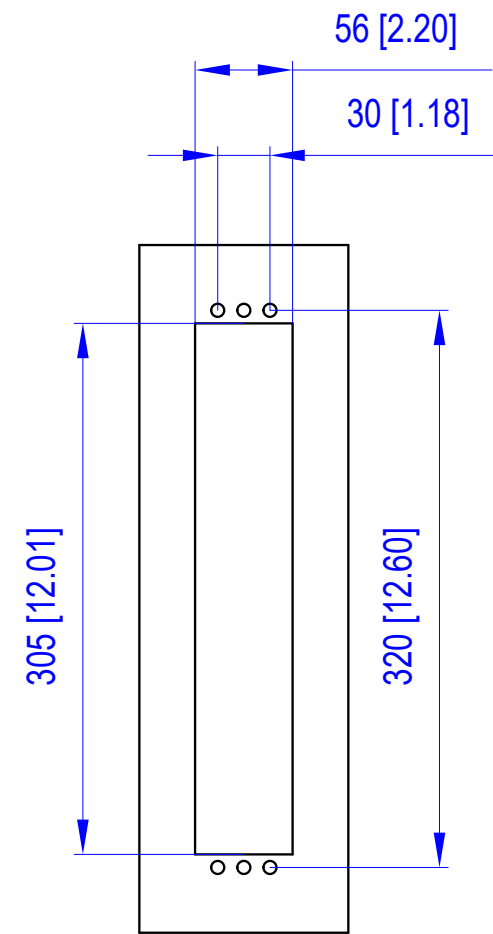
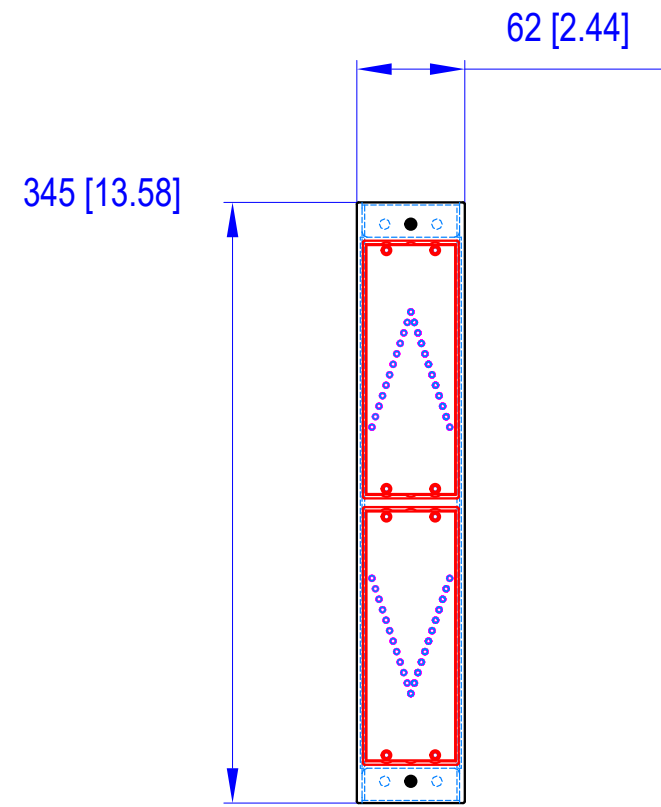
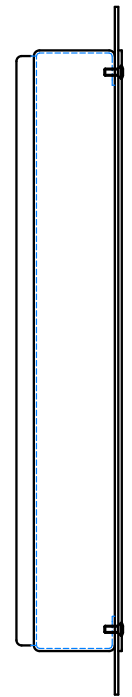
# Mounting

Dimension: Hallstation Flush Mounting

1. 62 x 2 x 345



## Cutout- Wall



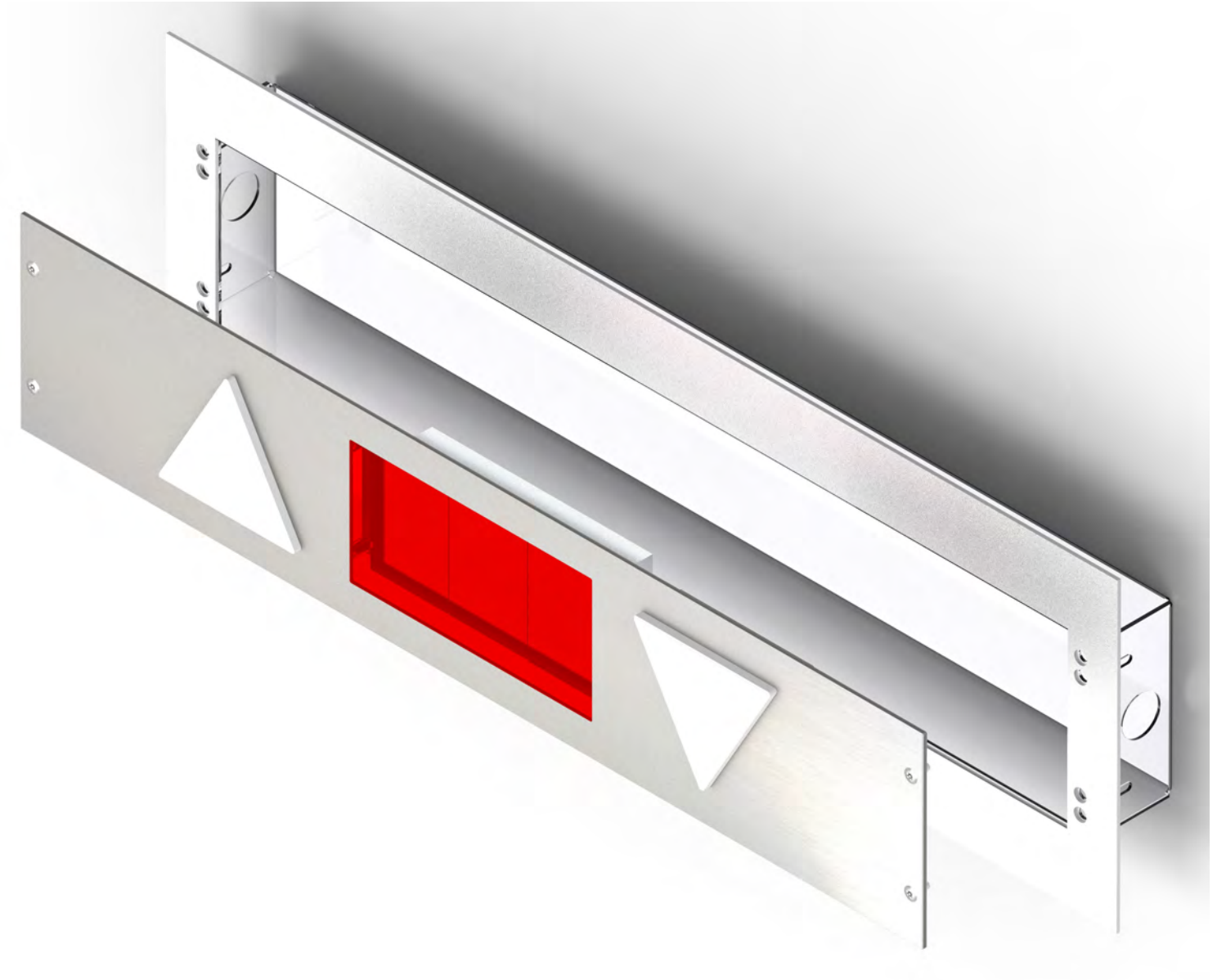
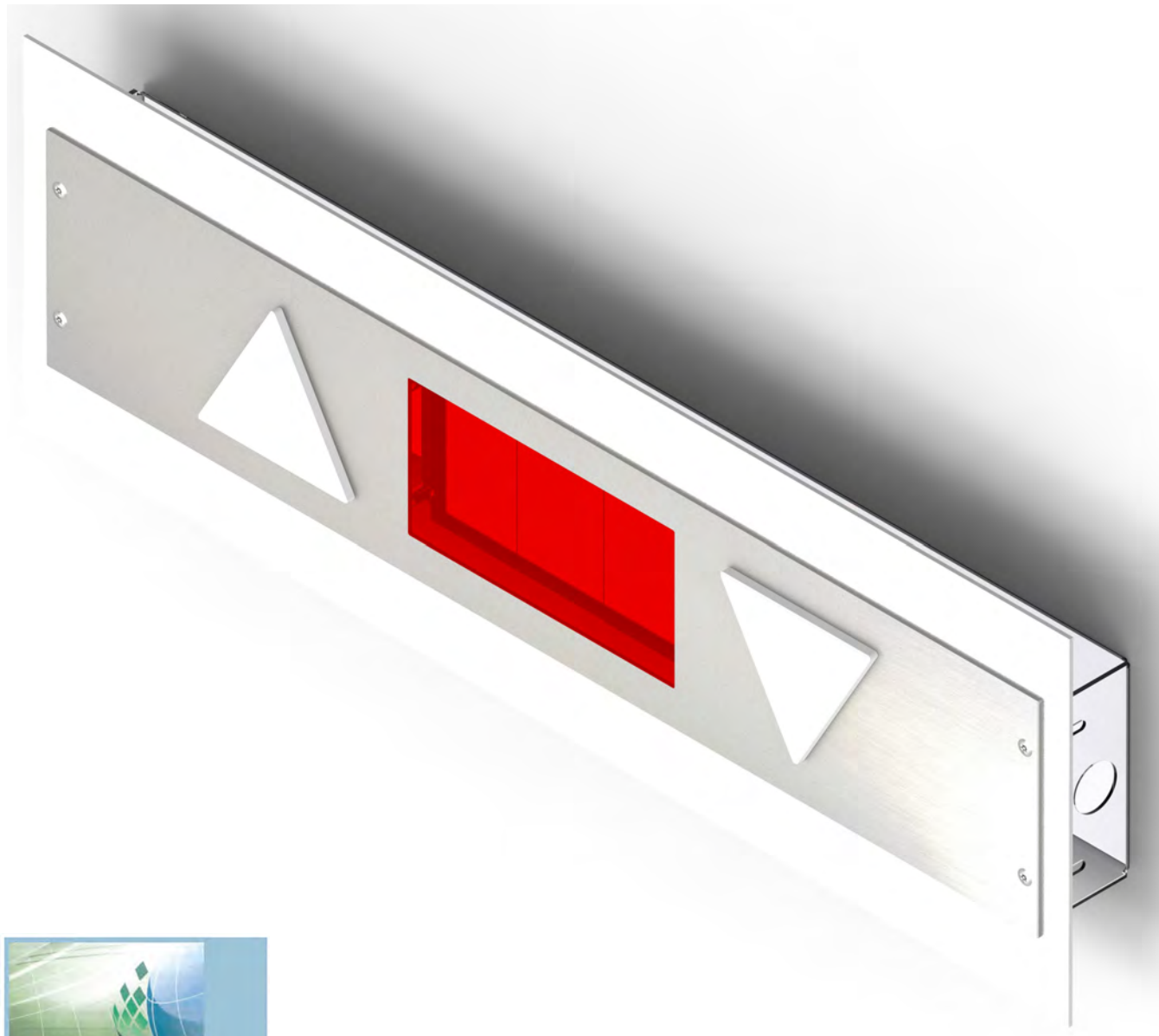


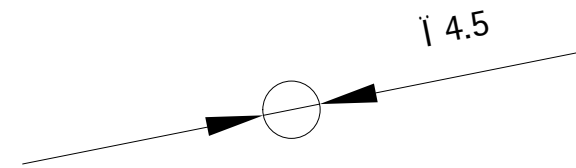
## Hallstation Flush mounting

### Standard Dimension

Width : 110 mm  
Length : 350, 446, 532, 700 mm  
Depth behind the wall: 55 mm

other dimensions we manufacture according  
to your requirements





stainless steel M4 x 10, M4 x 16, M4 x 20  
 gold-coloured M4 x 10, M4 x 16, M4 x 20  
 black M4 x 16



raised countersunk head screw with Allen® head, similar to DIN 966, 2.5  
 zinc-plated M4 x 10  
 gold-coloured M4 x 10



two-hole raised countersunk head screw  
 stainless steel M4 x 12



countersunk screw with Allen® head, DIN 7991  
 stainless steel M4 x 10, M4 x 12, M4 x 16, M4 x 20, M4 x 25  
 black M4 x 10



raised countersunk head screw with inner Torx and pin  
 stainless steel M4 x 10

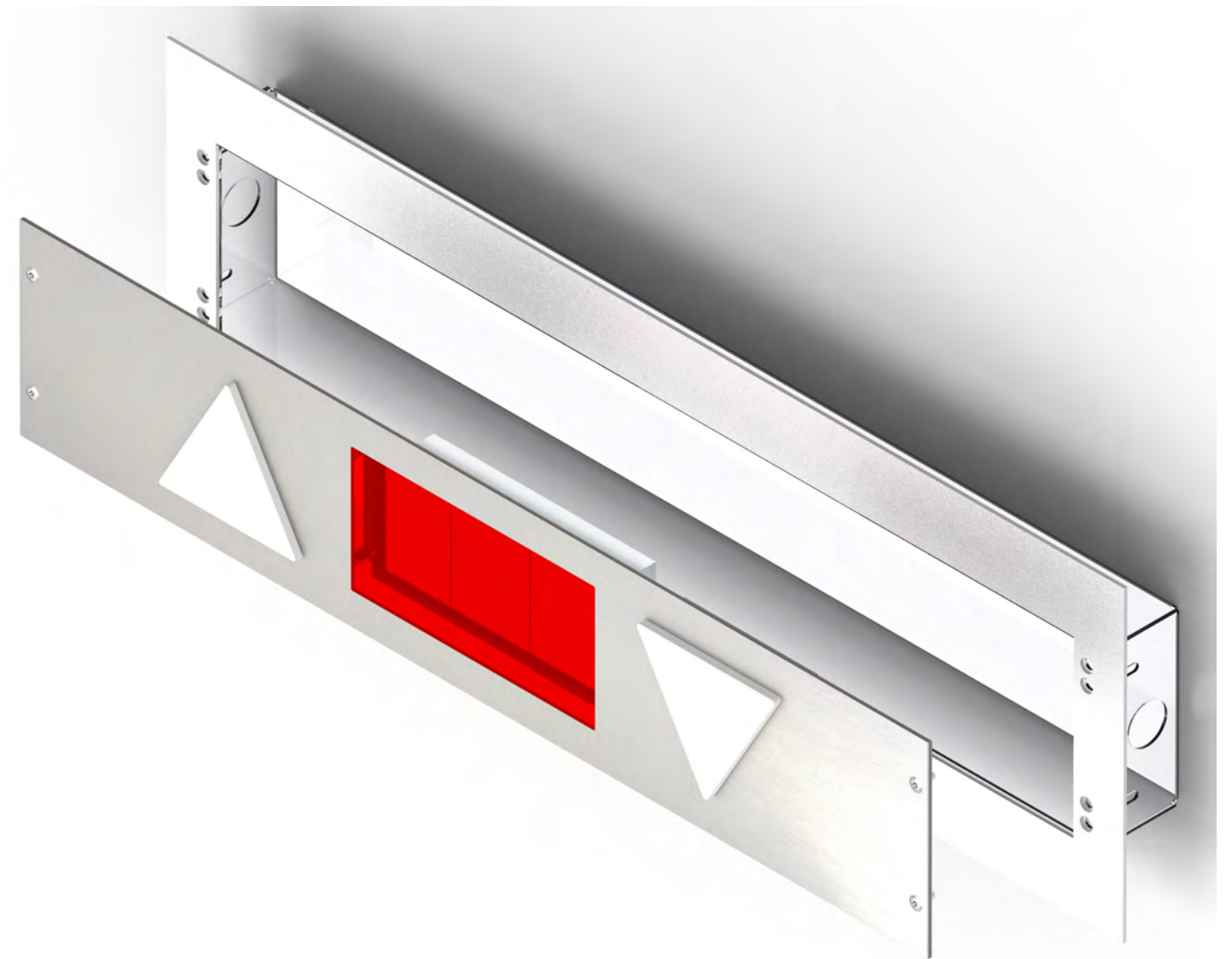
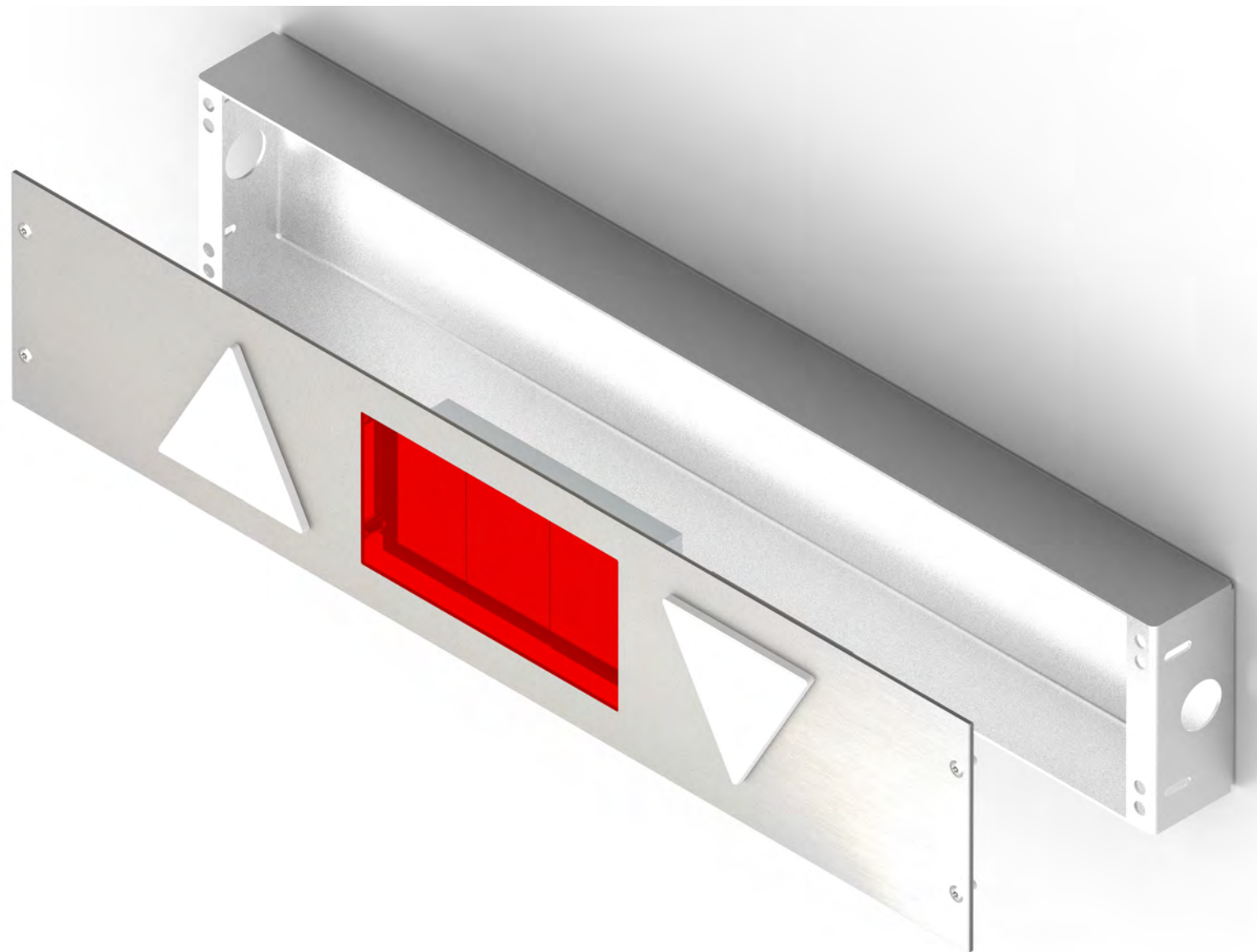
## Mounting

### Hallstation Flush Mounting

1. Step : make the cutout and drill and countersink screw holes for mounting the backbox

2. Step, Mount the backbox behind the wall

3. Mounting Faceplate



Cutout- Wall

