

SCHAEFER Elevator Components Inc.  
 #110 - 19347 24 ave  
 Surrey, BC, V3Z 3S9, Canada

1 800 +1 884-351-2345  
 Phone +1 778-731-2345  
 Fax +1 778-731-2346

Date: \_\_\_\_\_

### General

Project / Building name \_\_\_\_\_  New construction MOD   
 City / Province \_\_\_\_\_  Controller make: \_\_\_\_\_  
 Customer ref # \_\_\_\_\_  
 Company \_\_\_\_\_  24 V Fixtures  
 Contact name \_\_\_\_\_ multi  low rise   
 Contact phone # \_\_\_\_\_ simplex  duplex  high rise

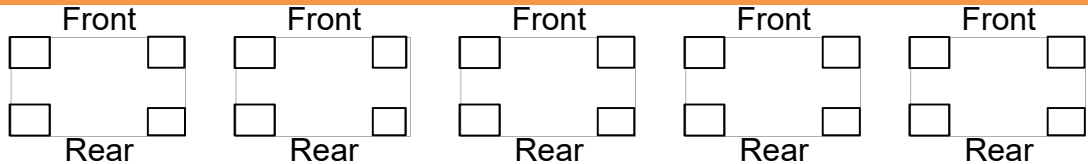
### COP summary

Car #					
Capacity KG and/or LB					
No of Persons					
Installation #					
Passenger / Freight					
Main / Auxiliary					
egress @					

### Floor marking (floor markings for each floor, Front or Rear Opening)

Car # \_\_\_\_\_  
 Car # \_\_\_\_\_  
 Car # \_\_\_\_\_  
 Car # \_\_\_\_\_  
 Car # \_\_\_\_\_

### COP locations



Fill in information on AUXILIARY COP here: what is included?

### Any Special Request

Project \_\_\_\_\_

Car # \_\_\_\_\_ **please name all Car # that apply**

COP SIZE		COP finishing	
Width	_____	Brushed (#4) Stainless Steel	<input type="checkbox"/>
Height	_____	other _____	<input type="checkbox"/>
max. depth	_____		

Hinges: left  right  key lock @top  @top + bottom

**Position Indicator**

*Please contact our sales team for layout / programming!*

signal format  micro comm  other: \_\_\_\_\_  
 display colour \_\_\_\_\_  
 arrows

**Emergency light unit**

Emergency light charger board, battery pack yes  No

**Phone and Voice**

Phone  Webb  Emercom  other: \_\_\_\_\_

Voice Annunciator *Please contact our sales team for layout and programming!* please specify: \_\_\_\_\_

Chime/GONG *Please contact our sales team for layout and programming!* please specify: \_\_\_\_\_

**Fire Operation**

**Code Asme/B44-** 2007  2010  2013   
 2016  2019

**Special Function on COP faceplate:**

Independent S.  Floor lock out  Seismic Ind   
 Code blue Ind + KS

Overload Ind  other: \_\_\_\_\_

**Pushbuttons**

round	vandal/round	midsize	jumbo
RT42 IX NA <input type="checkbox"/>	VB42 <input type="checkbox"/>	B45 Q (square) <input type="checkbox"/>	B50 Q (square) <input type="checkbox"/>
RT42 IX NA bic. <input type="checkbox"/>	VB42 M <input type="checkbox"/>	B45 R (round) <input type="checkbox"/>	B50 R (round) <input type="checkbox"/>
RT42 2M XI <input type="checkbox"/>			

housing  #4 St.st.matted  Standard- DO/DC, Alarm,Phone with Collars

touchplate  #4 St.st.matted  others: \_\_\_\_\_

LED colour  red  blue  others: \_\_\_\_\_

bicolour: \_\_\_\_\_

Voltage  24V  others: \_\_\_\_\_

**Tactiles**

square inlay  round inlay  fishtail inlay  surface mount   
 RT + VB-series only



**Floor Access**

Card Reader Provision (standard size: 99 x 48mm)  plastic red or smoked   
 stainless steel   
 cutout only   
 custom SIZE  please specify: \_\_\_\_\_

floor lockouts  please specify floors: \_\_\_\_\_

**Service cabinet: Key Switches (KS) / Toggle switches (TS)**

**please specify individually KS or TS**

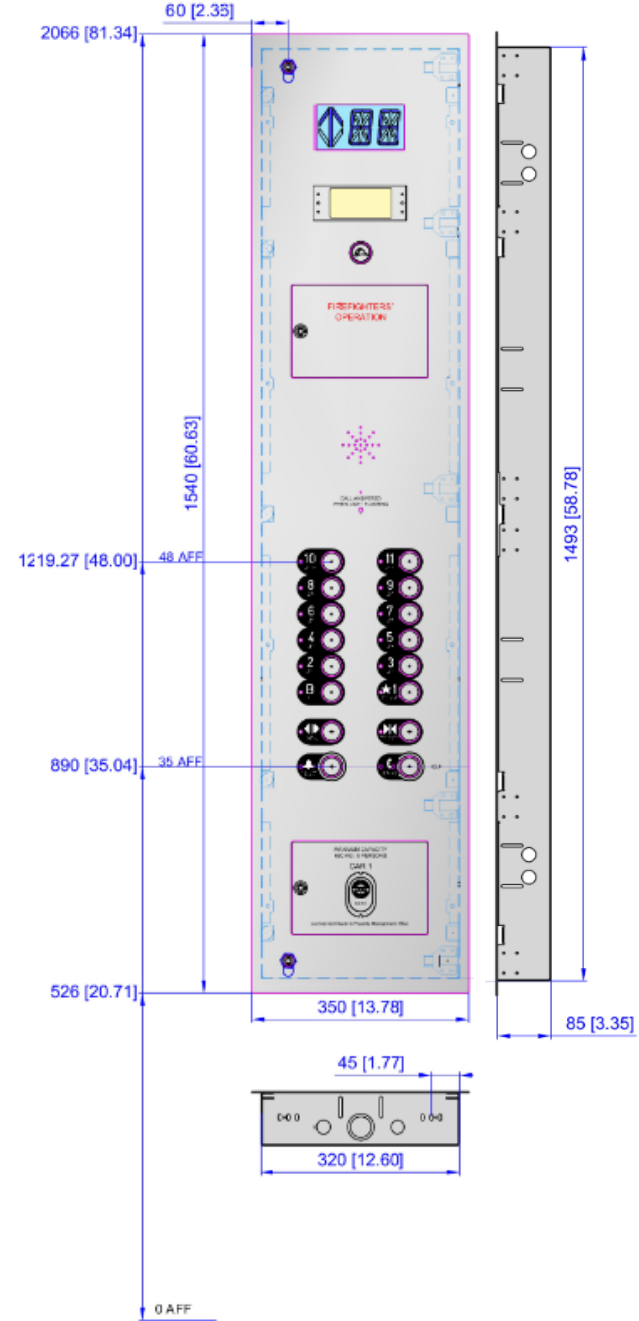
<input type="checkbox"/> Run / Stop X4002	<input type="checkbox"/> Independent Service
<input type="checkbox"/> Inspection X4002	<input type="checkbox"/> EM Light Test Switch
<input type="checkbox"/> 1 spd Fan	<input type="checkbox"/> Access Enable <input type="checkbox"/> Insp/access COMBO KS
<input type="checkbox"/> 2 spd Fan	<input type="checkbox"/> Voice Annunciator
<input type="checkbox"/> Light	<b>additional elements:</b>
<input type="checkbox"/> other: _____	<input type="checkbox"/> GFCI
	<input type="checkbox"/> USB
	<input type="checkbox"/> Dimmer
	<input type="checkbox"/> other _____

**Markings**

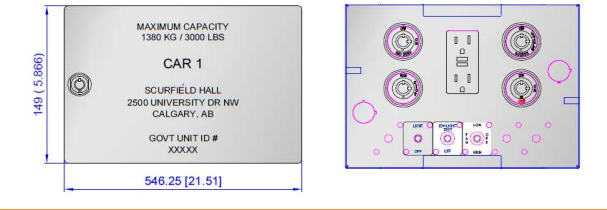
on service cabinet door  Capacity  building name  Gov. ID #   
 Car #  address  Gov. logo

english  french  bilingual

**design example COP**



**design example service cabinet**



on COP faceplate  No Smoking symbol   
 company name OR LOGO

Project \_\_\_\_\_

In case all hall stations are the same, please use this section

**Hall Stations SIZE**

Width (w) \_\_\_\_\_  
 Height (h) \_\_\_\_\_  
**please specify:**  
 bottom to center lowest PB (a) \_\_\_\_\_  
 distance between screw holes (b) \_\_\_\_\_

**Hall Stations finishing**

Brushed (#4) Stainless Steel   
 other \_\_\_\_\_   
 surface mount   
 flush mount

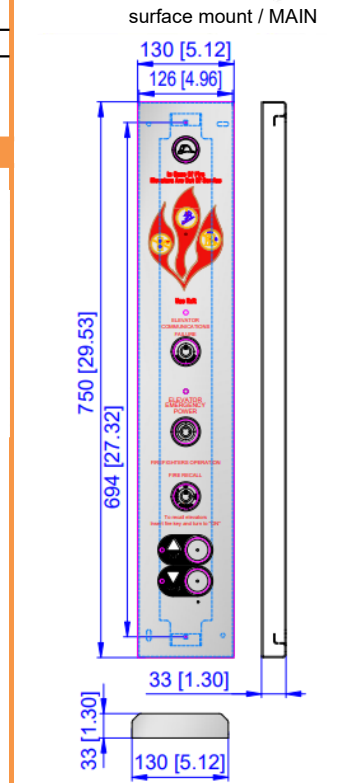
**HS Main** **design examples HS Main**

surface mount  **pushbuttons:**  same as COP **LED illumination**  same as COP  
 flush mount  other: \_\_\_\_\_  UP green/ DOWN red  
 standard size:  height depends on elements, width 5" for flush and surface mounted  
 custom size: \_\_\_\_\_ = h \_\_\_\_\_ = w \_\_\_\_\_ = a \_\_\_\_\_ = b  
**Keyswitches & Indicators**  
 Fire Recall  Alarm Reset  EM Power Select  
 Firemans' hat  Comm. Failure  EM Power  
**PI:**   
**engravings**  tri-flame  others: \_\_\_\_\_



**HS Intermediate**

surface mount  **pushbuttons:**  same as COP **LED illumination**  same as COP  
 flush mount  other: \_\_\_\_\_  UP green/ DOWN red  
 standard size:  flush: 254 x 101.5mm [10 x 4 in]  surface: 476 x 130mm [18.74 x 5.12 in]  
 custom size: \_\_\_\_\_ = h \_\_\_\_\_ = w \_\_\_\_\_ = a \_\_\_\_\_ = b  
**Keyswitches & Indicators**  
 please specify: \_\_\_\_\_  
 please specify: \_\_\_\_\_  
**PI:**   
**engravings**  tri-flame  others: \_\_\_\_\_

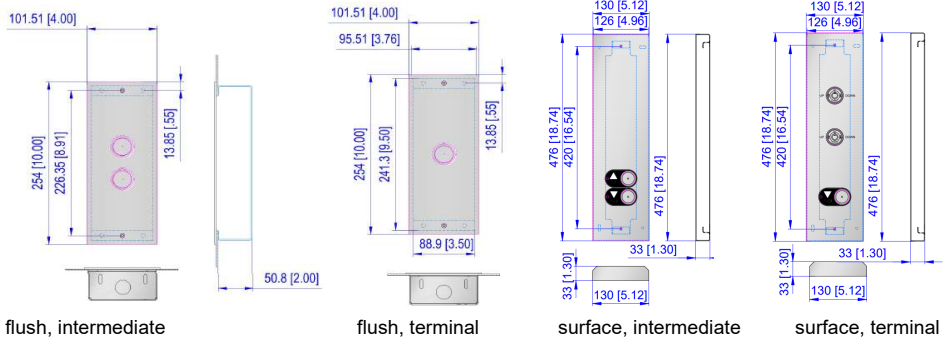


**HS terminal**

surface mount  **pushbuttons:**  same as COP **LED illumination**  same as COP  
 flush mount  other: \_\_\_\_\_  UP green/ DOWN red  
 standard size:  flush: 254 x 101.5mm [10 x 4 in]  surface: 476 x 130mm [18.74 x 5.12 in]  
 custom size: \_\_\_\_\_ = h \_\_\_\_\_ = w \_\_\_\_\_ = a \_\_\_\_\_ = b  
**Keyswitches & Indicators**  
 please specify: \_\_\_\_\_  
 please specify: \_\_\_\_\_  
**PI:**   
**engravings**  tri-flame  others: \_\_\_\_\_

**special notes/ requirements on hall stations**

\_\_\_\_\_



Project \_\_\_\_\_

In case all hall lanterns are the same, please use this section →

total QTY

### Hall Lanterns SIZE

Width \_\_\_\_\_  
Height \_\_\_\_\_

surface mount   
flush mount

### Hall Lanterns finishing

Brushed (#4) Stainless Steel   
other \_\_\_\_\_

horizontal   
vertical

### markings

engraved on Hall lantern MAIN

elevator #   
firemans' hat   
others:

### design examples CDI/ standards

traditional vertical w/o chime, flush  
LP8080 LP6448

### Hall Lantern on MAIN

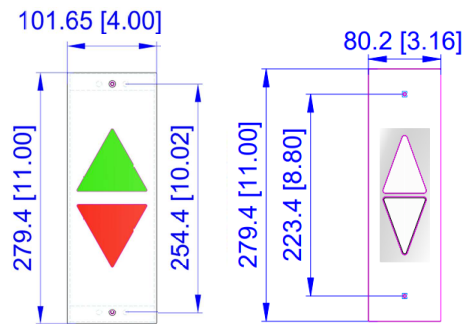
surface mount <input type="checkbox"/>	Arrow type <input type="checkbox"/>	traditional LP8080	LED illumination <input type="checkbox"/>	UP green/DOWN red
flush mount <input type="checkbox"/>	<input type="checkbox"/>	traditional LP6448	<input type="checkbox"/>	other: _____
horizontal <input type="checkbox"/>	<input type="checkbox"/>	vandal	Chime/Gong: <input type="checkbox"/>	
vertical <input type="checkbox"/>			please specify _____	
finishing: <input type="checkbox"/>	same as COP <input type="checkbox"/>	other: _____		
type: <input type="checkbox"/>	Position Ind. only <input type="checkbox"/>	standard size <input type="checkbox"/>	custom size: h: _____	
<input type="checkbox"/>	Lantern only <input type="checkbox"/>	<input type="checkbox"/>	please specify w: _____	
<input type="checkbox"/>	PI / Lant. Combo <input type="checkbox"/>	<input type="checkbox"/>		

### Hall Lantern on intermediate floor

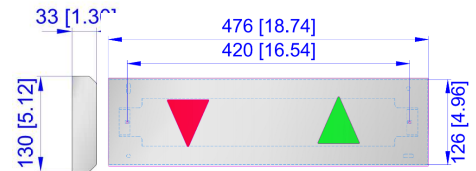
surface mount <input type="checkbox"/>	Arrow type <input type="checkbox"/>	traditional LP8080	LED illumination <input type="checkbox"/>	UP green/DOWN red
flush mount <input type="checkbox"/>	<input type="checkbox"/>	traditional LP6448	<input type="checkbox"/>	other: _____
horizontal <input type="checkbox"/>	<input type="checkbox"/>	vandal	Chime/Gong: <input type="checkbox"/>	
vertical <input type="checkbox"/>			please specify _____	
finishing: <input type="checkbox"/>	same as COP <input type="checkbox"/>	other: _____		
type: <input type="checkbox"/>	Position Ind. only <input type="checkbox"/>	standard size <input type="checkbox"/>	custom size: h: _____	
<input type="checkbox"/>	Lantern only <input type="checkbox"/>	<input type="checkbox"/>	please specify w: _____	
<input type="checkbox"/>	PI / Lant. Combo <input type="checkbox"/>	<input type="checkbox"/>		

### Hall Lantern on terminal floor

surface mount <input type="checkbox"/>	Arrow type <input type="checkbox"/>	traditional LP8080	LED illumination <input type="checkbox"/>	UP green/DOWN red
flush mount <input type="checkbox"/>	<input type="checkbox"/>	traditional LP6448	<input type="checkbox"/>	other: _____
horizontal <input type="checkbox"/>	<input type="checkbox"/>	vandal	Chime/Gong: <input type="checkbox"/>	
vertical <input type="checkbox"/>			please specify _____	
finishing: <input type="checkbox"/>	same as COP <input type="checkbox"/>	other: _____		
type: <input type="checkbox"/>	Position Ind. only <input type="checkbox"/>	standard size <input type="checkbox"/>	custom size: h: _____	
<input type="checkbox"/>	Lantern only <input type="checkbox"/>	<input type="checkbox"/>	please specify w: _____	
<input type="checkbox"/>	PI / Lant. Combo <input type="checkbox"/>	<input type="checkbox"/>		



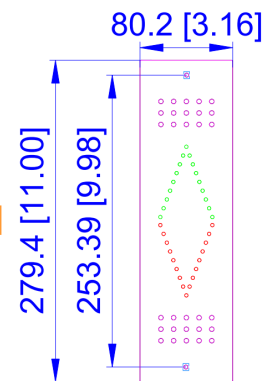
trad. horizontal LP8080 w/o chime, surface



vandal w/ chime  
LP6448

### CDI - In-car direction indicator - mounted in DOOR JAMB

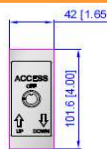
options <input type="checkbox"/>	traditional LP8080	LED illumination <input type="checkbox"/>	UP green/DOWN red
<input type="checkbox"/>	traditional LP6448	<input type="checkbox"/>	other: _____
<input type="checkbox"/>	vandal		
chime <input type="checkbox"/>		finishing: <input type="checkbox"/>	same as COP
		<input type="checkbox"/>	other: _____
custom size: h: _____	standard size: <input type="checkbox"/>	as shown on design examples	
w: _____			



### Hoistway Access

KS UP / DOWN total QTY

for jamb or sight mount   
separate fixture   
included in terminal HS



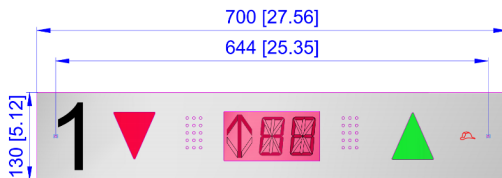
### braille plates metal

2 pcs per opening   
door jamb   
car ID   
others:   
please specify: \_\_\_\_\_

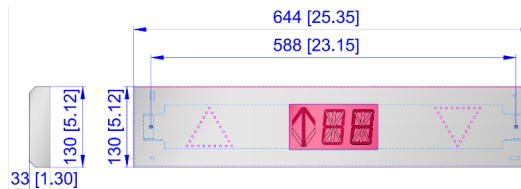


### design examples

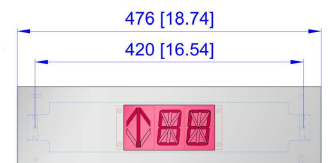
PI/Lantern Combo with trad. LP8080, chime and marking, flush



PI/Lantern Combo with vandal LP8080, surface



PI only, surface



SCHAEFER Elevator Components Inc. 1 800 +1 884-351-2345  
 #110 - 19347 24 ave Phone +1 778-731-2345  
 Surrey, BC, V3Z 3S9, Canada Fax +1 778-731-2346

fill out form completely in case customized lobby station is needed, otherwise please select and fill out the section "General" only

Customer: \_\_\_\_\_ Project: \_\_\_\_\_

**General**

controller make: \_\_\_\_\_ Voltage:  24V

max backbox depth \_\_\_\_\_ mm or \_\_\_\_\_ inches machine room phone needed:

hinge side  bottom  left  right

Pre-Wiring  yes  no standard rescue box machine room location  Webb  Emercom  other: \_\_\_\_\_

**summary - elevators, groups**

# of elevators \_\_\_\_\_ engravings  black  red  other: \_\_\_\_\_

# of elevator groups \_\_\_\_\_ engravings  black  red  other: \_\_\_\_\_

Car #  numerical  alphabetical  
 24V LED

**engravings:**

english only  french only  bilingual

**FIRE OPERATION** (including firemans' hat indicator, engravings as per code)

**ELEVATOR EMERGENCY POWER**

LED colour: red  green  amber

**CAR AT MAIN WITH DOORS OPEN**

LED colour: red  green  amber

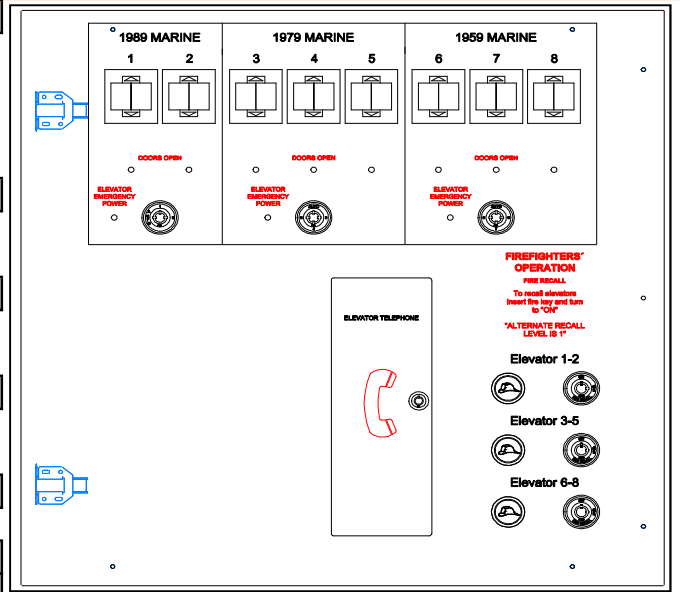
**ALTERNATE RECALL LEVEL**

LED colour: red  green  amber

**PARKING AT MAIN**

LED colour: red  green  amber

ADDRESS engraved: yes  no   
 black  red



**keyswitches** **position indicator**

FIRE RECALL (OFF-ON)  specify make: \_\_\_\_\_

EP select Group #1  address information/ special notes:

EP select Group #2

EP select Group #3

EP select Group #4