

SCHAEFER



PRODUCT INFORMATION

Pushbuttons VB 42 NA • VB 42 bicolor NA • VB 42 M NA
Indicators VD 42 NA



E469509
Elevator Accessory

VB 42 NA/VD 42 NA

THE ABSOLUTE CHOICE WHEN PROTECTION AGAINST VANDALISM, WATER OR DUST BECOMES AN ISSUE



FEATURES AT A GLANCE

- » Vandal resistance according to EN 81-72 Class 2, which provides protection from water, dust and impact
- » Degree of protection IP 55 according to DIN EN 60529
- » Mirrored chrome or matted chrome housing rim
- » Studless mounting via plastic nut
- » Standard or bicolor acknowledgement lighting, push-button VB 42 M with centered illuminated spot
- » 5 standard colors of choice and 2 bicolor combinations



WATER PROTECTION

IP 55 according to DIN EN 60529



IMPACT RESISTANCE

According to EN 81-71 Class 2



FIRE RESISTANCE

According to EN 81-71 Class 2

ROBUST AND CLASSY

APPLICATION » IDEALLY SUITED TO HIGH TRAFFIC, PUBLIC AND COMMERCIAL ELEVATORS WHERE ABUSE CAN OCCUR



Robust and smart-looking, the VB 42 NA and VD 42 NA are the absolute choice when protection against vandalism, water or dust becomes an issue. As a solo artist with its special appearance, it can determine the look of a fixture or be complemented by further matching components to ensure compliance to standards.

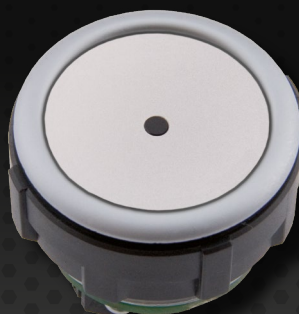
Each elevator is, in some way, subject to careless or violent use. The demand for operating and indicating

elements with high protection level against vandalism is increasing, not only for places like soccer stadiums or transit. The product line VB 42 NA/VD 42 NA is the elegant solution! In addition to adequate protection according to the EN 81-71 Class 2 standard, it also offers a nice design. Ample testing against fire, impact and splash water for both the pushbutton and indicator variant ensures the highest grade of safety with superior quality.

<https://schaefer-canada.com/style-42-vandalism-proof>



Pushbutton **VB 42 (bicolor) NA**
with mirrored chrome housing rim



Pushbutton **VB 42 M NA**
with matted chrome housing rim



Indicator **VD 42 NA**
with engraved and colored symbol

TECHNICAL SPECIFICATIONS

Technical specifications • VB 42 NA/VD 42 NA







	VB 42 NA	VB 42 bicolor NA	VB 42 M NA	VD 42 NA
Mounting				
Plastic nut	✓	✓	✓	✓
Faceplate thickness	1–15 mm [0.039–0.591"]	1–15 mm [0.039–0.591"]	1–15 mm [0.039–0.591"]	1–15 mm [0.039–0.591"]
Installation depth	30.6 mm [1.205"]	30.6 mm [1.205"]	30.6 mm [1.205"]	30.6 mm [1.205"]
Wiring				
Screw terminal	3, 4 poles	2, 3, 4 poles	3, 4 poles	4 poles
Wire gauge	0.1–1 mm ² [AWG 28–18]	0.1–1 mm ² [AWG 28–18]	0.1–1 mm ² [AWG 28–18]	0.1–1 mm ² [AWG 28–18]
Wire material	Cu	Cu	Cu	Cu
Torque	0.17 Nm [1.5 lbf inch]	0.17 Nm [1.5 lbf inch]	0.17 Nm [1.5 lbf inch]	0.17 Nm [1.5 lbf inch]
Switching element				
Snap switch	✓	✓	✓	✗
Actuating force	5 N [1.124 lbf]	5 N [1.124 lbf]	5 N [1.124 lbf]	✗
Stroke	1.3 mm [0.051"]	1.3 mm [0.051"]	1.3 mm [0.051"]	✗
SPST (NO) contact	1	1	1	—
Electrical rating	2 A/30 V DC	2 A/30 V DC	2 A/30 V DC	✗
SPDT contact	1	1	1	—
Electrical rating	0.1 A/50 V AC 0.1 A/48 V DC	0.1 A/50 V AC 0.1 A/48 V DC	0.1 A/50 V AC 0.1 A/48 V DC	✗
Electrical data				
P	150 VA/60 W	150 VA/60 W	150 VA/60 W	150 VA/60 W
LED				
U	12–30 V AC/DC	12–30 V DC	12–30 V AC/DC	12–30 V AC/DC
U (option)	30–48 V AC/DC	—	30–48 V AC/DC	30–48 V AC/DC
I	20 mA	20 mA	20 mA	20 mA
Miscellaneous				
Degree of protection ⁽¹⁾	IP 55	IP 55	IP 55	IP 55
Average service life tested	10,000,000 operations	10,000,000 operations	10,000,000 operations	—
Operating temperature range	0–55 °C [32–131 °F]	0–55 °C [32–131 °F]	0–55 °C [32–131 °F]	0–55 °C [32–131 °F]
Standard compliance				
Enclosure rating (UL/CSA)	Type 3R	Type 3R	Type 3R	Type 3R
EN 81-20	✓	✓	✓	✓
EN 81-70 ⁽²⁾	✓	✓	✓	✓
EN 81-71 Class 1	✓	✓	✓	✓
EN 81-71 Class 2	✓	✓	✓	✓
EN 81-72	✓	✓	✓	✓

(1) According to standard DIN EN 60529

(2) **Please note:** To meet the standard EN 81-70 embossed signs/symbols are required (e. g. embossed directly onto the touchplate or in combination with tactile labels).

AVAILABLE OPTIONS

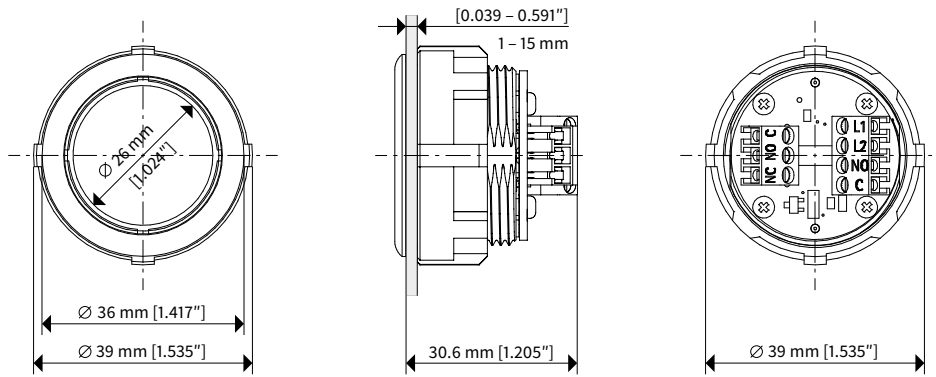
Available options • VB 42 NA/VD 42 NA

	VB 42 NA	VB 42 bicolor NA	VB 42 M NA	VD 42 NA
Housing rim				
04 Cr-p, chrome, mirrored	✓	✓	✓	✓
05 Cr-m, chrome, matted	✓	✓	✓	✓
Touchplate / Plate				
01 Stainless steel, matted	✓	✓	✗	✓
02 Stainless steel, matted, TiN coated	on request	on request	✗	on request
03 Stainless steel, #8 mirrored, black	✓	✓	✗	✓
04 Stainless steel, #8 mirrored	on request	on request	✗	on request
05 Stainless steel, #8 mirrored, TiN coated	on request	on request	✗	on request
07 Stainless steel, #4 brushed	on request	on request	✗	on request
08 Aluminum (AlMg), anodized, EV6 black	✗	✗	on request	✗
09 Aluminum (AlMg), anodized, EV1 silver	✗	✗	✓	✗
10 Stainless steel, RAL 9010 white	on request	on request	✗	on request
11 Stainless steel, RAL 3000 red	on request	on request	✗	on request
12 Stainless steel, RAL 6018 green	on request	on request	✗	on request
13 Stainless steel, RAL color on request	on request	on request	✗	on request
15 Stainless steel, matted, anti fingerprint	on request	on request	✗	on request
16 Copper (Cu), hygienic material	on request	on request	✗	on request
17 Stainless steel, matted, ivory, hygienic material	on request	on request	✗	on request
LED Colour				
10  Red	✓	✗	✓	✓
20  Blue	✓	✗	✓	✓
30  Green	✓	✗	✓	✓
40  White	✓	✗	✓	✓
50  Amber	✓	✗	✓	✓
41  White/Red (bicolor)	✗	✓	✗	✗
42  White/Blue (bicolor)	✗	✓	✗	✗
Marking				
00 Without	✓	✓	✓	✓
01 Engraving	✓	✓	✗	✓
02 Laser	✓	✓	✗	✓
03 Embossing without Braille	✓	✓	✗	✓
LED Voltage				
12 – 30 V AC/DC	✓	✗	✓	✓
30 – 48 V AC/DC	✓	✗	✓	✓
12 – 30 V DC	✗	✓	✗	✗

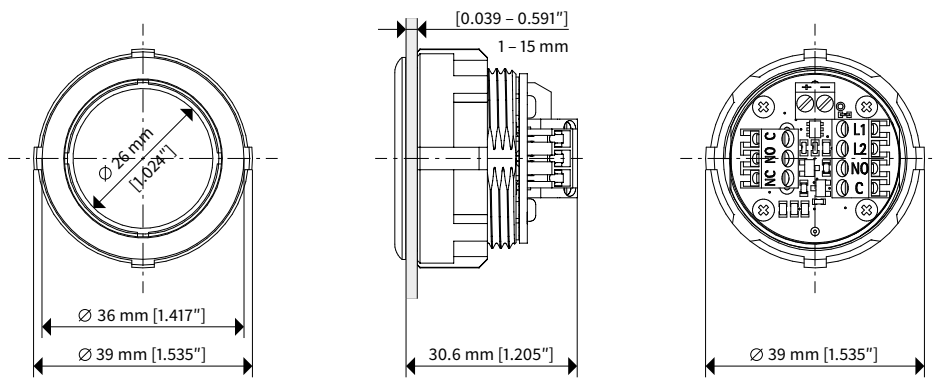
DIMENSIONS

Dimensions • VB 42 NA/VD 42 NA

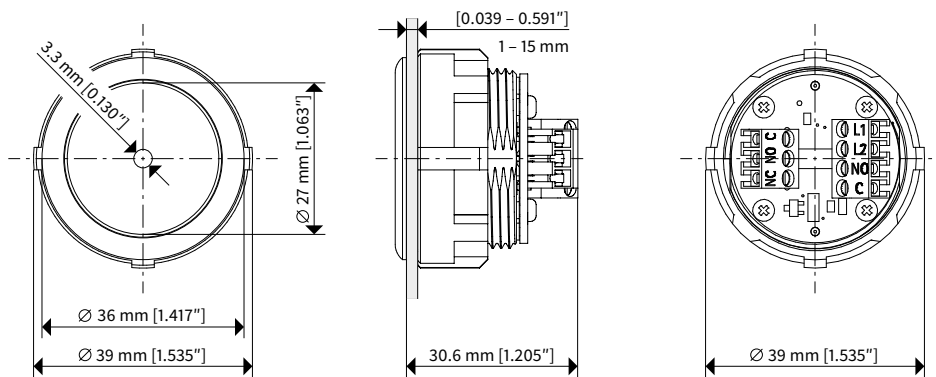
Pushbutton VB 42 NA



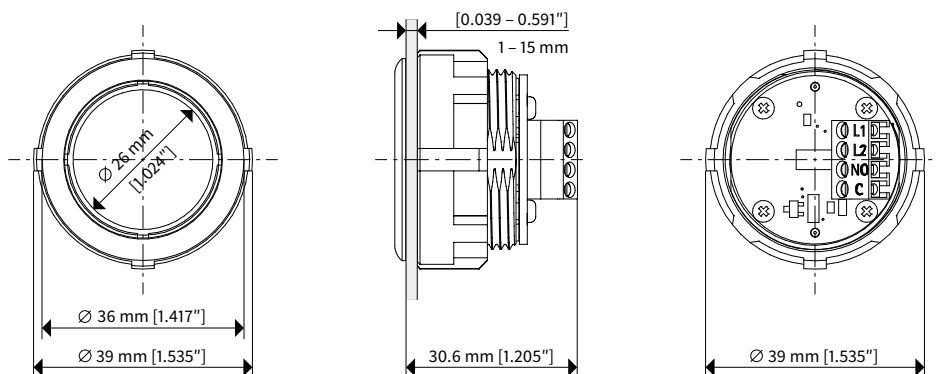
Pushbutton VB 42 bicolor NA



Pushbutton VB 42 M NA

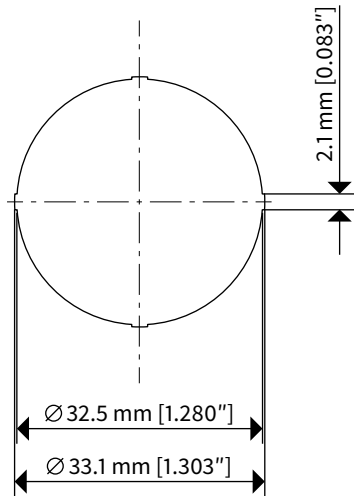


Indicator VD 42 NA



CUTOUT & MOUNTING

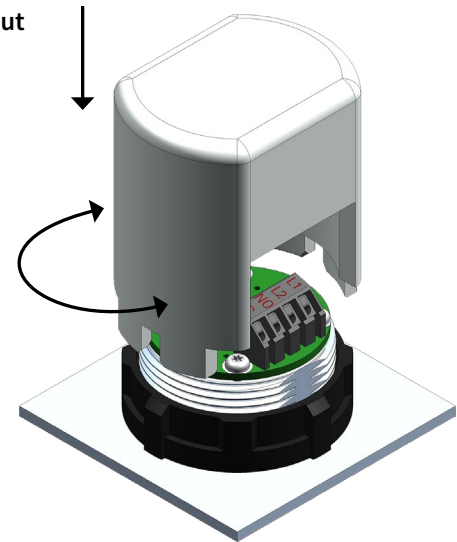
Cutout & Mounting · VB 42 NA/VD 42 NA



Studless mounting via plastic nut

Locking plastic nut in clockwise direction

Unlocking plastic nut in counterclockwise direction

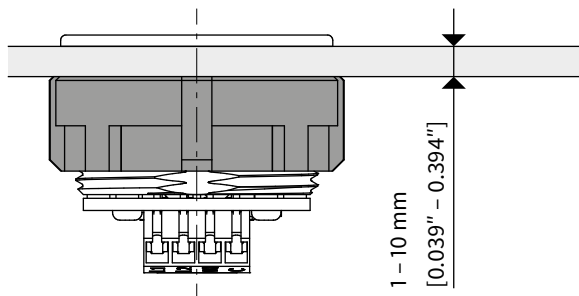


Cutout tolerances:

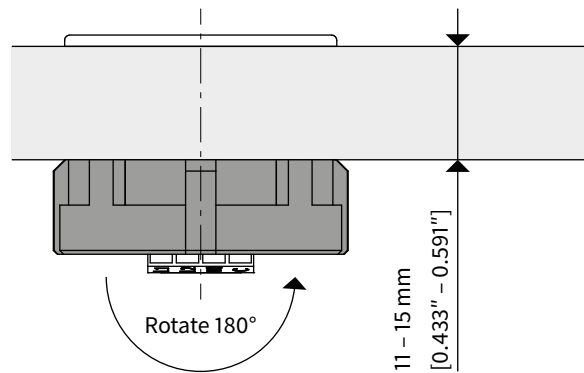
+0.05 mm / -0 mm [+0.002" / -0"]

Please note: The pushbuttons and indicators are only water protected when mounted correctly! For mounting we recommend the SCHAEFER Mounting Tool Style 42.

Faceplate thickness: 1 – 10 mm [0.039 – 0.394"]



Faceplate thickness: 11 – 15 mm [0.433 – 0.591"]



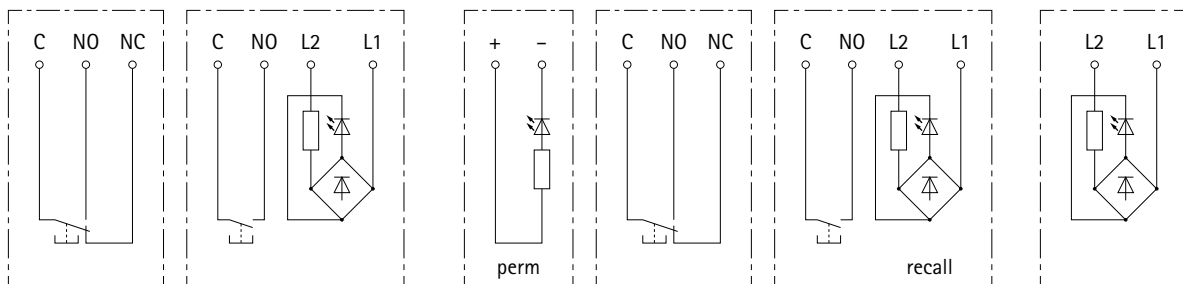
WIRING DIAGRAM

Wiring diagram · VB 42 NA/VD 42 NA

VB 42 NA / VB 42 M NA

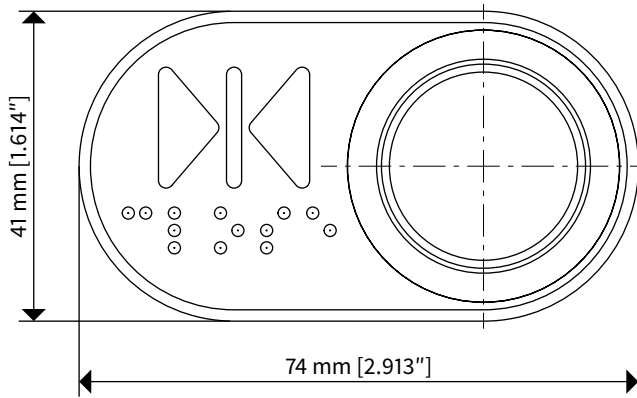
VB 42 bicolor NA

VD 42 NA



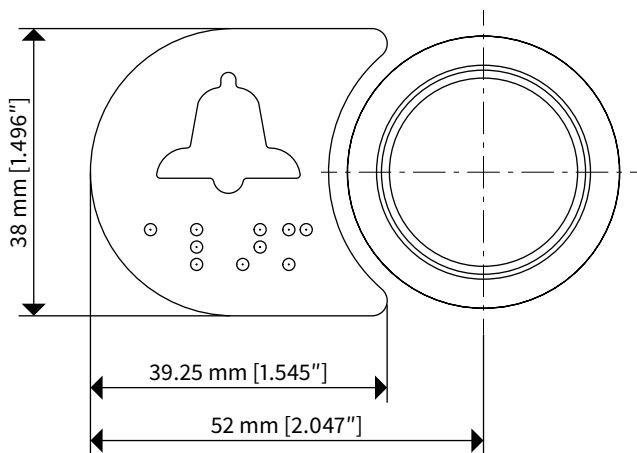
TACTILES

Labels • VB 42 NA/VD 42 NA



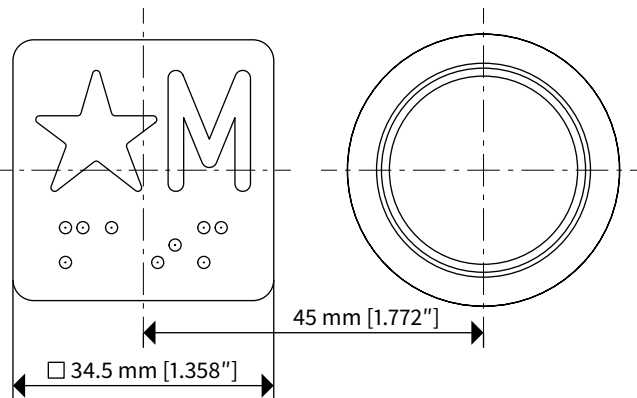
Label 42 R (surrounding)

Material: Aluminum, anodized, EV6 black •
St. steel, matted • St. steel, #8 mirrored •
St. steel, #8 mirrored, black
Marking: Embossing with Braille



Inlay Label 42 R (fishtail)

Material: Aluminum, anodized, EV6 black •
St. steel, matted • St. steel, #8 mirrored •
St. steel, #8 mirrored, black
Marking: Embossing with Braille



Inlay Label 34 Q (square)

Material: Aluminum, anodized, EV6 black •
St. steel, matted • St. steel, #8 mirrored •
St. steel, #8 mirrored, black
Marking: Embossing with Braille
Option: Inlay Label 34 R (round)

SCHAEFER tactiles comply with ADA standards and feature high contrast and large identifications.

SCHAEFER Elevator Components Inc.

#110 – 19347 24 Ave | Surrey, BC, V3Z 3S9 | Canada

Phone +1 778 731-2345 | Fax +1 778 731-2346 | Toll Free +1 844 351-2345

InfoCanada@ws-schaefer.com | <https://schaefer-canada.com>



<https://schaefer-canada.com>