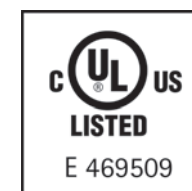
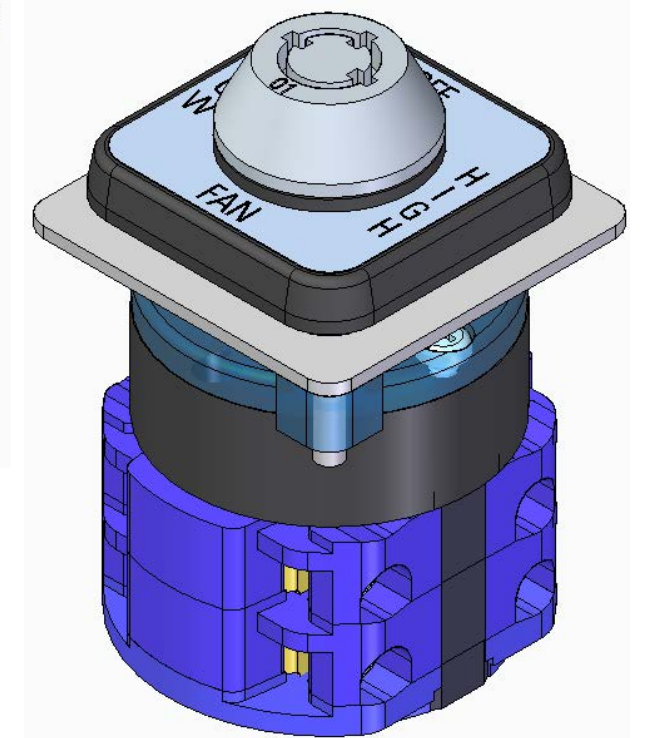
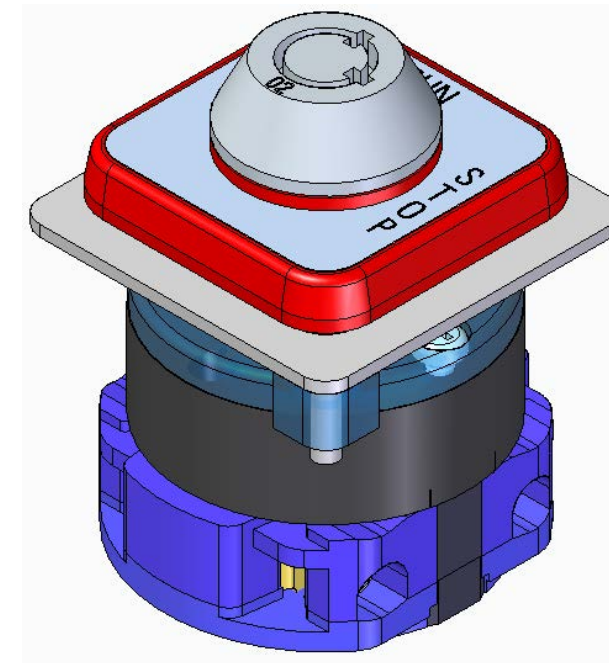


Keyswitch KS 42 | KS 45



- Studless fixing (spacer & nut)
- Faceplate thickness: 0.039 - 0.12" / 1 - 3 mm
- Surrounding air temperature: 32 - 131 °F / 0 - 55 °C



Dimensions | Dimensions | Dimensiones

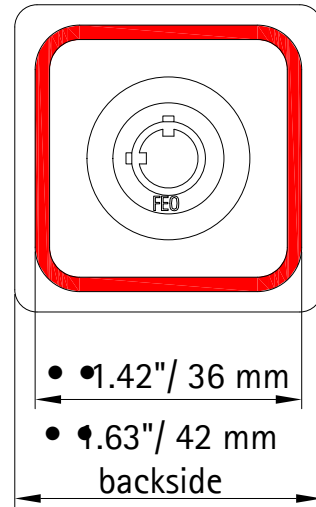
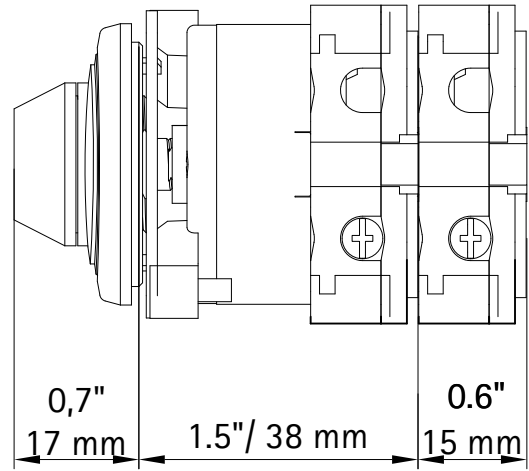
KS 42 Q Cam KN

Side view | Vue de côté | Vista lateral

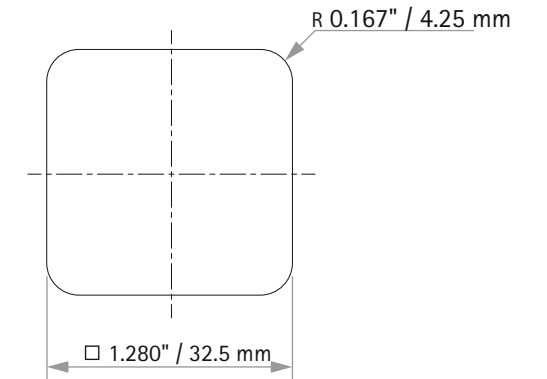
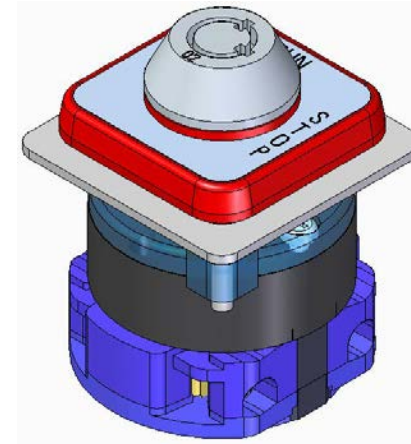
Front view | Vue frontal | Vista frontal

3D View | Vue 3D | Vista 3D

Cutout | Découpe | Corte



Key = Camlock (Cam)
Switch = Kraus Naimer (KN)



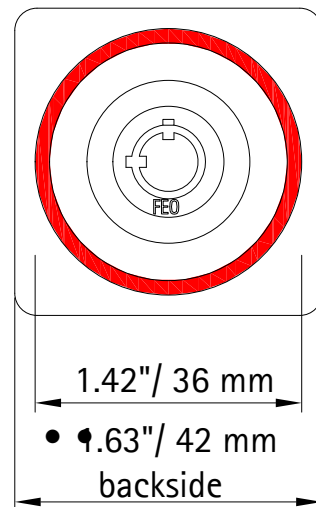
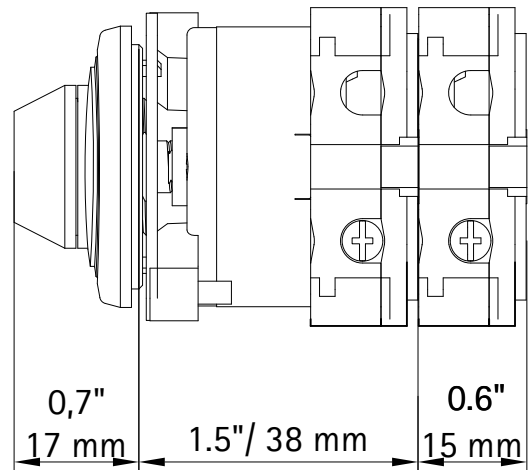
KS 42 R Cam KN

Side view | Vue de côté | Vista lateral

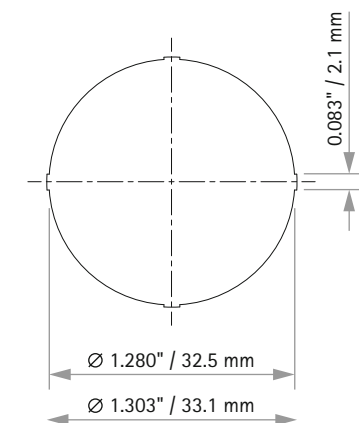
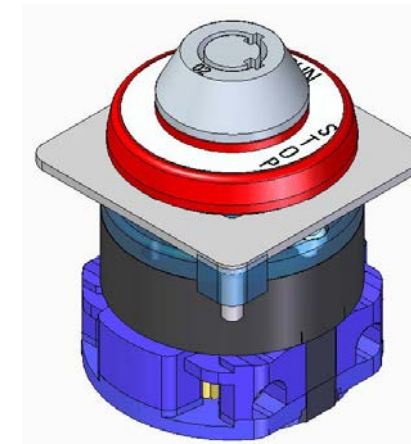
Front view | Vue frontal | Vista frontal

3D View | Vue 3D | Vista 3D

Cutout | Découpe | Corte



Key = Camlock (Cam)
Switch = Kraus Naimer (KN)



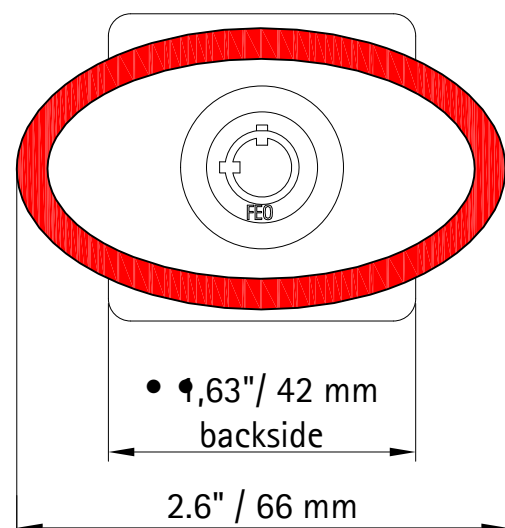
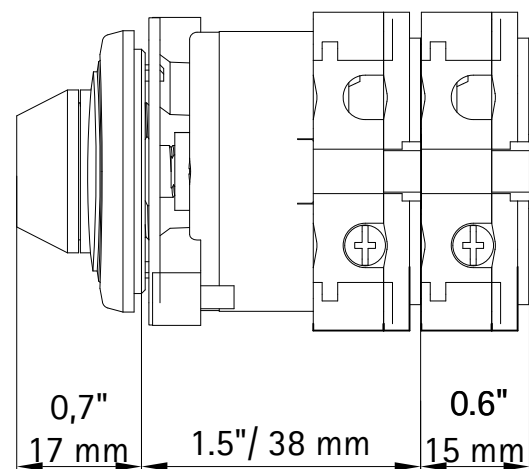
KS 42 E Cam KN

Side view | Vue de côté | Vista lateral

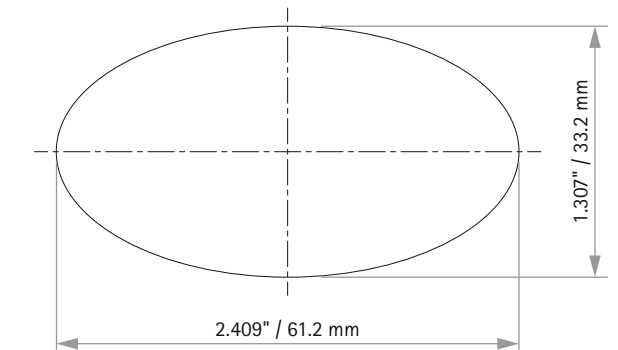
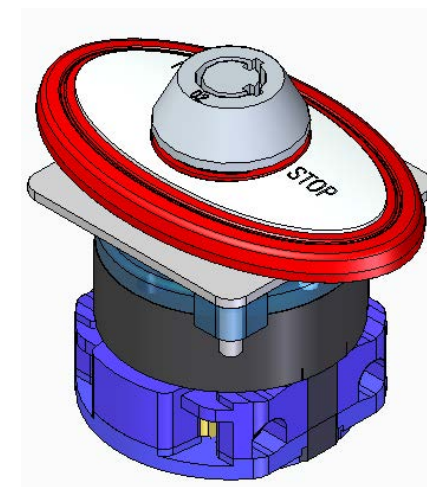
Front view | Vue frontal | Vista frontal

3D View | Vue 3D | Vista 3D

Cutout | Découpe | Corte



Key = Camlock (Cam)
Switch = Kraus Naimer (KN)



Dimensions | Dimensions | Dimensiones

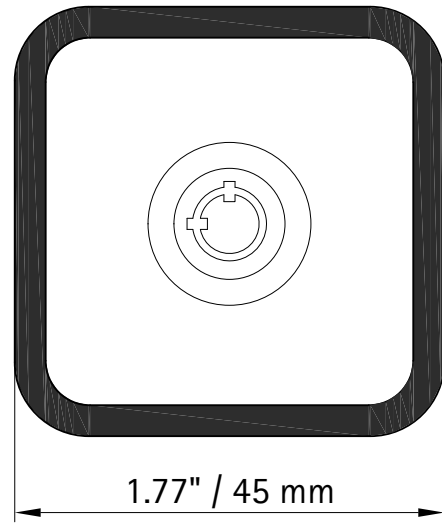
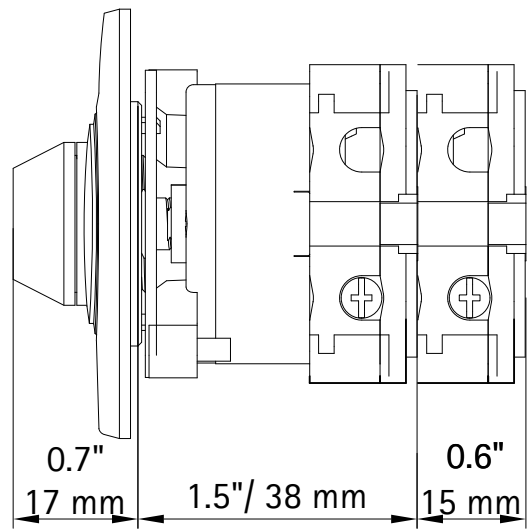
KS 45 Cam KN

Side view | Vue de côté | Vista lateral

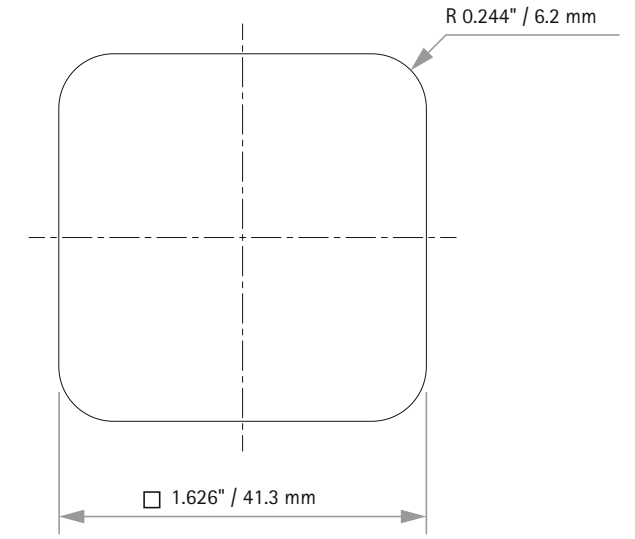
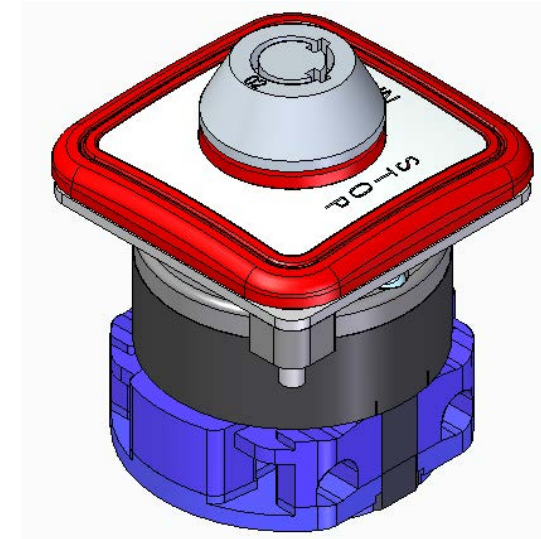
Front view | Vue frontal | Vista frontal

3D View | Vue 3D | Vista 3D

Cutout | Découpe | Corte



Key = Camlock (Cam)
Switch = Kraus Naimer (KN)



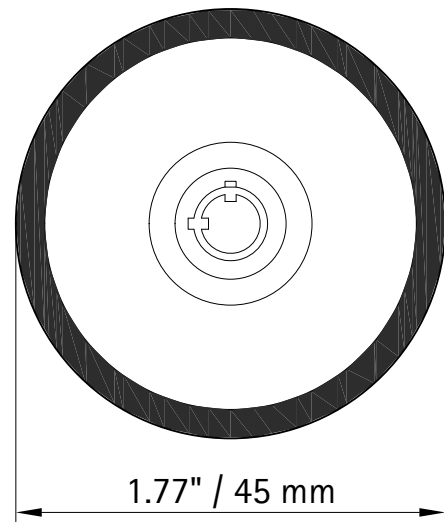
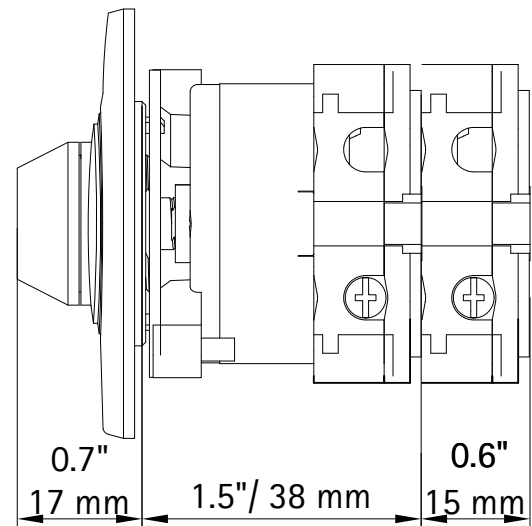
KS 45 Cam KN

Side view | Vue de côté | Vista lateral

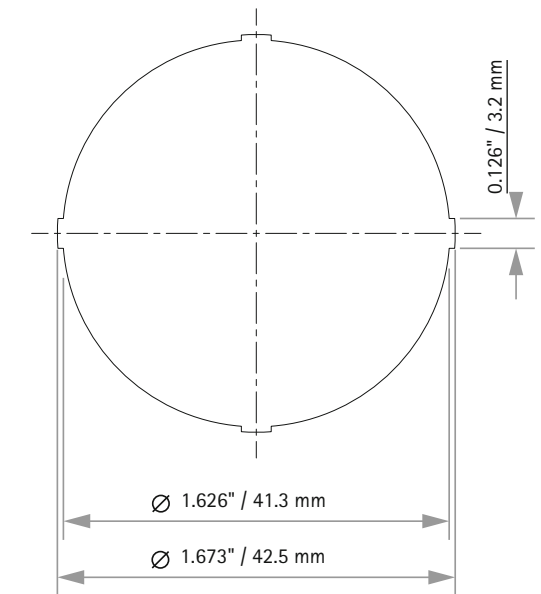
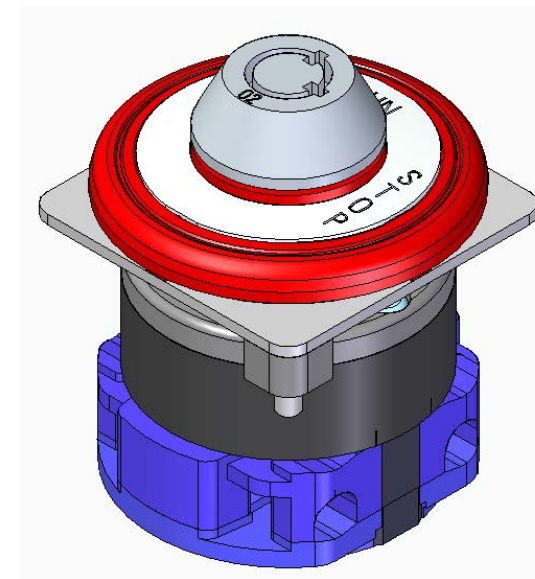
Front view | Vue frontal | Vista frontal

3D View | Vue 3D | Vista 3D

Cutout | Découpe | Corte



Key = Camlock (Cam)
Switch = Kraus Naimer (KN)



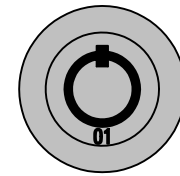
Overview Key "Camlock"

FEO

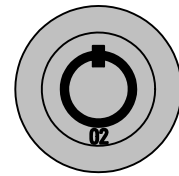
01

02

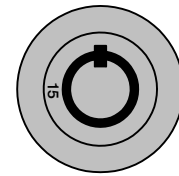
15



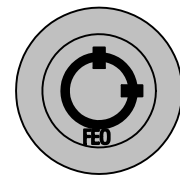
2D181A



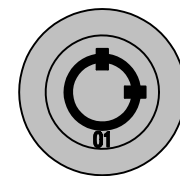
2119A-0006



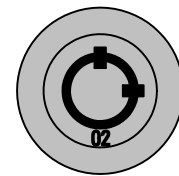
2D181A-0



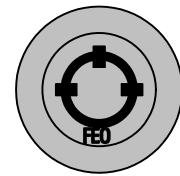
2119A-0003



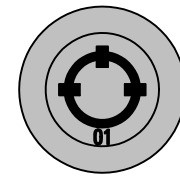
2119A-0005



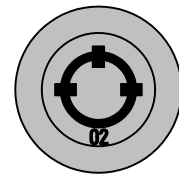
2119A-0007



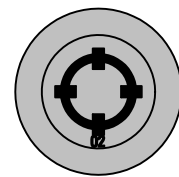
2119A-0001



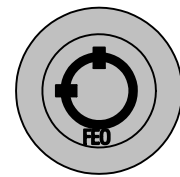
2119A-0002



2119A-0008

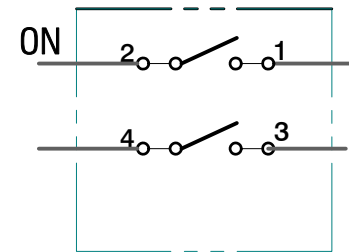
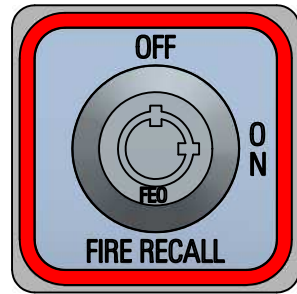


2119A-0009



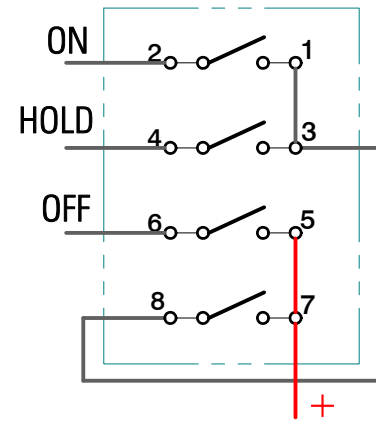
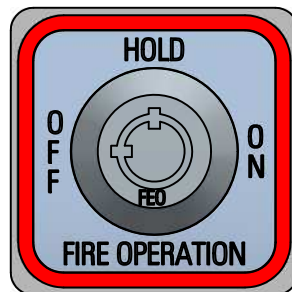
2119A-0004

Phase 1 Lobby Station
Fire Recall



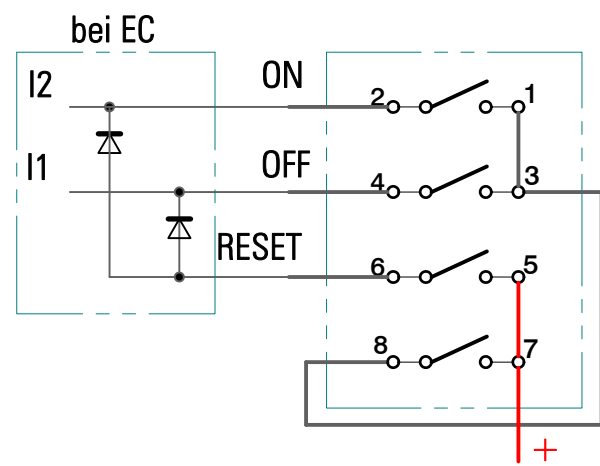
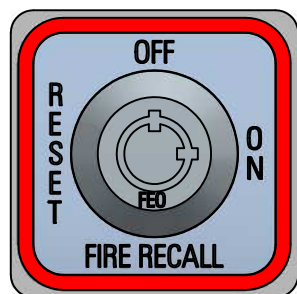
| 9 o'clock | 12 o'clock | 3 o'clock | Switch position | unlocked | moving |
|---|------------|------------|-----------------|-------------------------|----------------|
| ① | ② | ③ | | | |
| Kraus Naimer CA 10 A291, 10222.2.20.46 Res. 1 000 886 | | | | | |
| | OFF | ON | | 12 o'clock 3 o'clock | 90° turn right |
| | | 1-2 3-4 | | | |

Phase 2 COP Inside Cabinet
Fire Operation



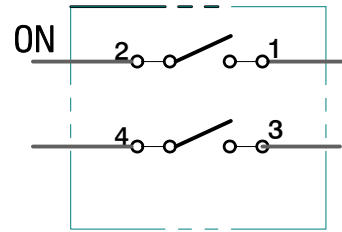
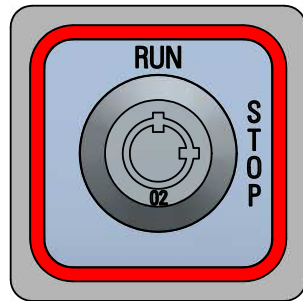
| | | | | | |
|--|------|------------|--|-------------------------|----------------------------------|
| Kraus Naimer CA 10, 0Z17, 10222.2.20.49 Res. 1 001 114 | | | | | |
| OFF | HOLD | ON | | | |
| 3-4 5-6 | 3-4 | 1-2 7-8 | | 12 o'clock 3 o'clock | 90° turn right, 90° turn left |
| | | | | | |

Phase 1 Hall Station
Fire recall



| | | | | | |
|--|-----|------------|--|--|--|
| Kraus Naimer CA 10, 0Z17, 10222.2.20.49 Res. 1 001 114 | | | | | |
| RESET | OFF | ON | | | |
| 3-4 5-6 | 3-4 | 1-2 7-8 | | | |
| | | | | | |

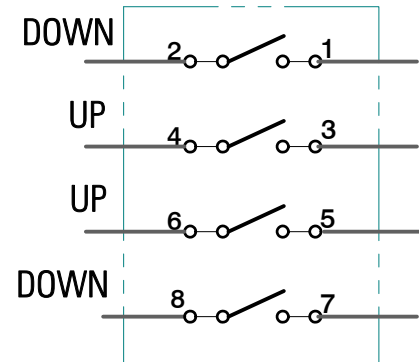
RUN-STOP



Access Enable

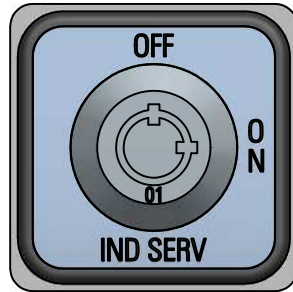


Up-Access-Down

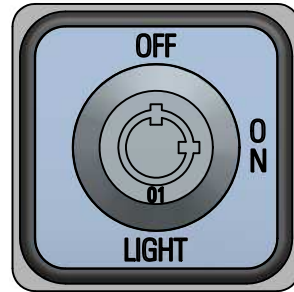


| 9 o'clock | 12 o'clock | 3 o'clock | | Switch position | unlocked | moving |
|--|------------|-----------|--|-----------------|-----------------------------|--|
| ① | ② | ③ | | | 12 o'clock 3 o'clock | 90° turn right |
| Kraus Naimer CA 10, A291, 10222.2.20.46 Res. 1 000 886 | | | | | | |
| | OFF | ON | | | | |
| | | 1-2 | | | | |
| | | 3-4 | | | | |
| | | | | | | |
| Kraus Naimer CA 10, A715, 10222.2.20.48 Res. 1 000 888 | | | | | 12 o'clock | 45° turn right 45° turn left spring return |
| 10 Uhr | 12 Uhr | 2 Uhr | | | | |
| ④ | ② | ⑤ | | | | |
| UP | OFF | DOWN | | | | |
| | | 1-2 | | | | |
| 3-4 | | | | | | |
| 5-6 | | | | | | |
| | | 7-8 | | | | |

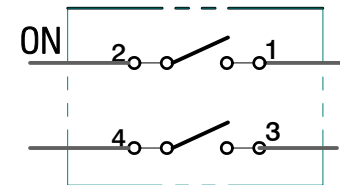
Independent Service



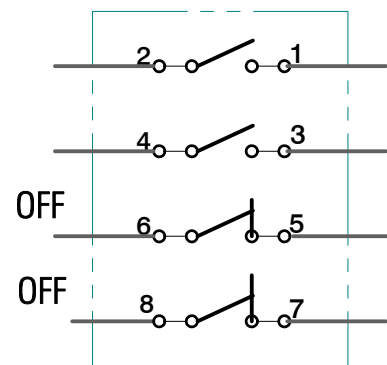
Light Test



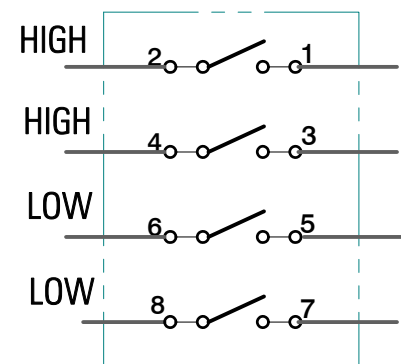
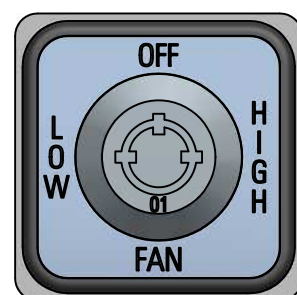
FAN Speed 1



Emergency Light Test



FAN Speed 2



| 9 o'clock | 12 o'clock | 3 o'clock | Switch position | unlocked | moving |
|---|-------------------|--------------------|-----------------|----------|--------|
| ① | ② | ③ | | | |
| Kraus Naimer CA 10 A291, 10222.2.20.46 Res. 1 000 886 | | | | | |
| | OFF | ON 1-2 3-4 | | | |
| | 12 o'clock | 3 o'clock | | | |
| Kraus Naimer CA 10 D-976Y, 10222.2.20.47 Res. 1 000 887 | | | | | |
| | OFF 5-6 7-8 | TEST | | | |
| 9 o'clock | 12 o'clock | 3 o'clock | | | |
| Kraus Naimer CA 10 D-976Y, 10222.2.20.47 Res. 1 000 887 | | | | | |
| LOW | OFF | HIGH 1-2 3-4 | | | |