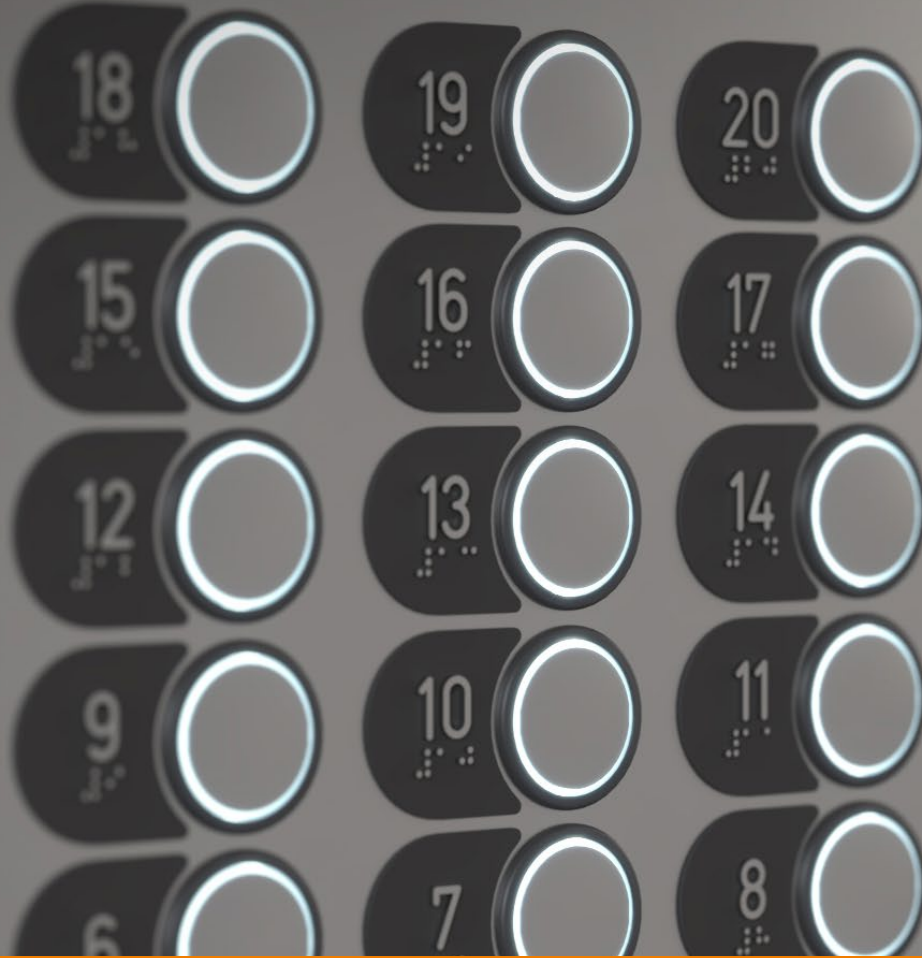


# SCHAEFER



## PRODUCT INFORMATION

Pushbuttons B 45 Q/R IX NA

Indicators D 45 Q/R IX NA



**E469509**

Elevator Accessory

# B 45 / D 45 NA

## ROUND AND SQUARE MID-SIZE PUSHBUTTON AND INDICATOR SERIES



### FEATURES AT A GLANCE

- » Popular mid-sized pushbutton and indicator series fitting a 41.3 mm [1.626"] cutout
- » Pushbuttons with two contacts (SPST (NO) and SPDT)
- » Multi-Volt / Multi-Color LEDs
- » Color of acknowledgement lighting changeable on site via color selector
- » Studless mounting via plastic nut

# MIDSIZE LUXURY

## APPLICATION » MID-SIZE OPERATING AND INDICATING ELEMENTS FOR ELEVATORS



The pushbuttons and indicators B 45 / D 45 are midway between the larger Style 50 and the somewhat smaller elements of the Style 42, links the two together and enhances the portfolio of buttons and indicators with options in a new size. A product range to satisfy those who found B 50 too bulky and standard sizes too inconspicuous, and for which quality, versatility and individuality remained the top priorities.

The pushbuttons B 45 IX NA and indicators D 45 IX NA have a large screw terminal and are available as multi-volt versions 12 – 120 V DC / 30 – 120 V AC with expanded voltage range or 6 V DC. As a result, they are above all suitable for unproblematic exchange in service operation and for use in modernisation. An LED color selector is available to set the luminous color.

<https://schaefer-canada.com/products/components/b-45.html>



Square pushbutton **B 45 Q IX NA**  
with matted chrome housing rim



Round pushbutton **B 45 R IX NA**  
with matted chrome housing rim



Indicator **D 45 Q IX NA**  
with inlay film

# TECHNICAL SPECIFICATIONS

## Technical specifications · B 45/D 45 NA


	B 45 Q/R IX NA	D 45 Q/R IX NA
<b>Mounting</b>		
Plastic nut and spacer	✓	✓
Faceplate thickness	1–11 mm [0.039–0.433"]	1–11 mm [0.039–0.433"]
Installation depth	30 mm [1.181"]	30 mm [1.181"]
<b>Wiring</b>		
Screw terminal	3, 4 poles	2 poles
Wire gauge	0.1–2 mm <sup>2</sup> [AWG 28–14]	0.1–2 mm <sup>2</sup> [AWG 28–14]
Wire material	Cu	Cu
Torque	0.25 Nm [2.2 lbf inch]	0.25 Nm [2.2 lbf inch]
<b>Switching element</b>		
Snap switch	✓	✗
Actuating force	5 N [1.124 lbf]	✗
Stroke	1.5 mm [0.059"]	✗
<b>SPST (NO) contact</b>	<b>1</b>	—
Electrical rating	0.7 A/120 V AC 0.05 A/120 V DC 2 A/30 V DC	✗
<b>SPDT contact</b>	<b>1</b>	—
Electrical rating	0.7 A/120 V AC 0.05 A/120 V DC 2 A/30 V DC	✗
<b>LED</b>		
U	30–120 V AC/12–120 V DC	30–120 V AC/12–120 V DC
U (option)	6 V DC	6 V DC
I	55 mA	55 mA
<b>Miscellaneous</b>		
Degree of protection <sup>(1)</sup>	IP 40	IP 40
Average service life tested	5,000,000 operations	—
Operating temperature range	0–55 °C [32–131 °F]	0–55 °C [32–131 °F]
<b>Standard compliance</b>		
Enclosure rating (UL/CSA)	Type 1	Type 1
EN 81-20	✓	✓
EN 81-70 <sup>(2)</sup>	✓	✓

(1) According to standard DIN EN 60529

(2) **Please note:** To meet the standard EN 81-70 embossed signs/symbols are required (e. g. embossed directly onto the touchplate or in combination with tactile labels).

# AVAILABLE OPTIONS

## Available options · B 45/D 45 NA

	B 45 Q/R IX NA	D 45 Q/R IX NA
<b>Housing rim</b>		
03 Plastic, black	on request	on request
04 Cr-p, chrome, mirrored	✓	✓
05 Cr-m, chrome, matted	✓	✓
40 Stainless steel, matted	on request	on request
<b>Touchplate / Plate</b>		
01 Stainless steel, matted	✓	✓
02 Stainless steel, matted, TiN coated	on request	✓
03 Stainless steel, #8 mirrored, black	on request	✓
04 Stainless steel, #8 mirrored	on request	✓
05 Stainless steel, #8 mirrored, TiN coated	on request	✓
08 Aluminum (AlMg), anodized, EV6 black	on request	✗
15 Stainless steel, matted, anti fingerprint	on request	✗
16 Copper (Cu), hygienic material	on request	✗
17 Stainless steel, matted, ivory, hygienic material	on request	✗
20 Polycarbonate, crystal clear	✗	✓
21 Polycarbonate, red	✗	✓
<b>LED Color</b>		
70  RGB <sup>(3)</sup>	✓	✓
<b>Marking</b>		
00 Without	✓	✓
01 Engraving	✓	✓
02 Laser	✓	✓
03 Embossing without Braille	✓	✗
20 Inlay film	✗	✓
<b>LED Voltage</b>		
30 - 120 V AC / 12 - 120 V DC	✓	✓
6 V DC	✓	✓

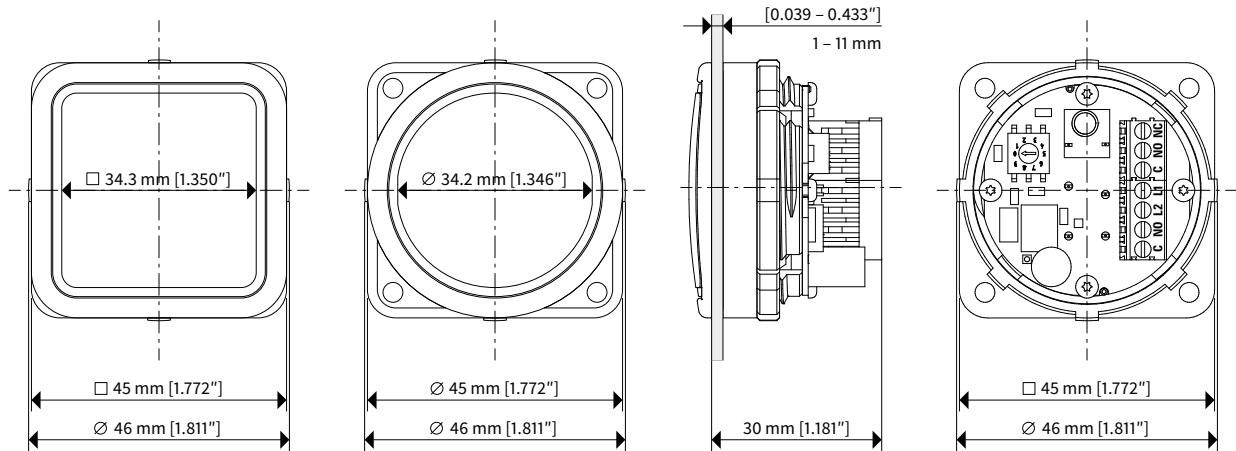
(3) **Please note:** Set the desired luminous color via **LED color selector (rotary switch)** on the rear side.

- |                   |                   |
|-------------------|-------------------|
| 0 ✗ Not available | 5 ● Amber         |
| 1 ● Red           | 6 ● Aqua          |
| 2 ● Blue          | 7 ✗ Not available |
| 3 ● Pink (rich)   | 8 ○ White         |
| 4 ● Green         | 9 ● Pink (light)  |

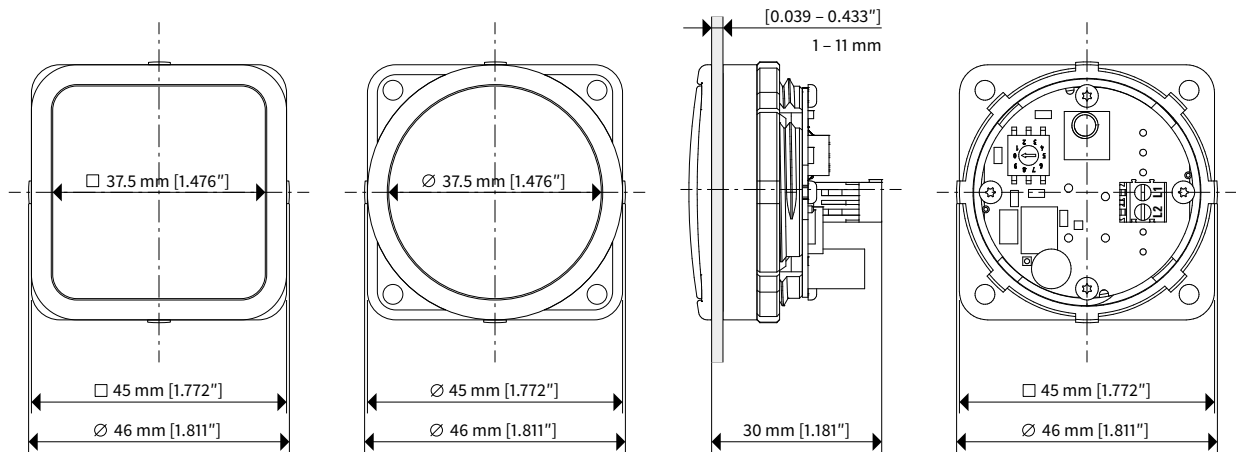
# DIMENSIONS

## Dimensions · B 45/D 45 NA

Pushbutton B 45 Q/R IX NA



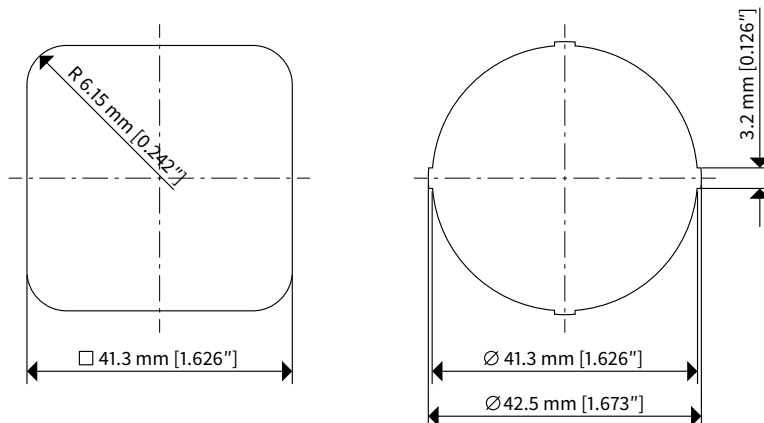
Indicator D 45 Q/R IX NA



# CUTOUT

## Cutout · B 45/D 45 NA

Q (square) · R (round)



Cutout tolerances:

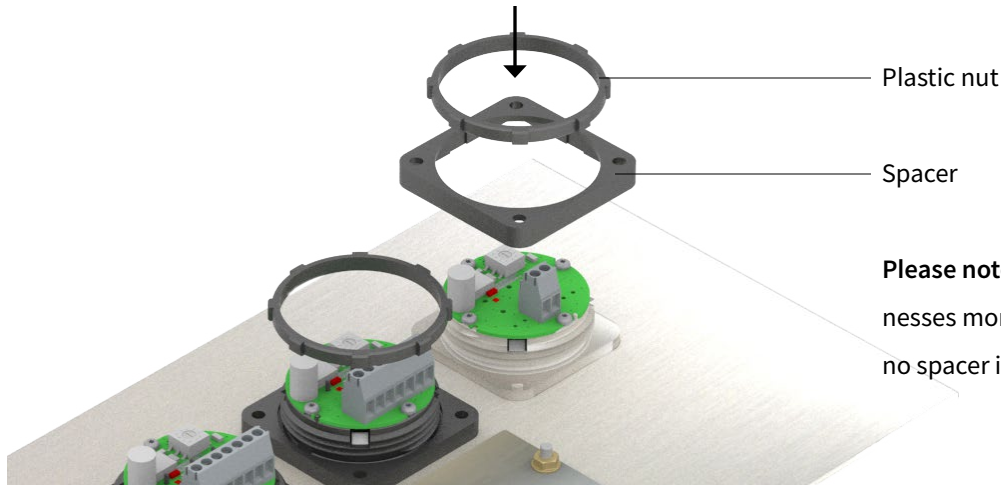
$+0.05 \text{ mm} / -0 \text{ mm}$  [ $+0.002" / -0"$ ]



# MOUNTING

## Mounting · B 45/D 45 NA

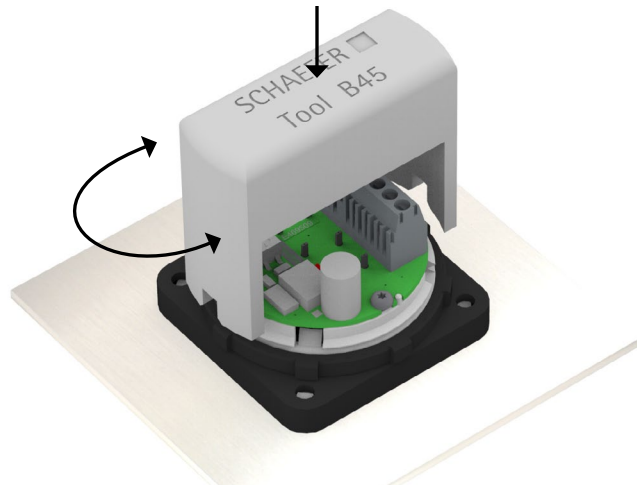
Studless mounting via plastic nut and spacer



**Please note:** For faceplate thicknesses more than 6 mm [0.236"] no spacer is required.

Locking plastic nut in clockwise direction

Unlocking plastic nut in counterclockwise direction



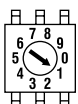
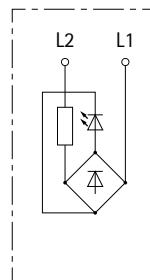
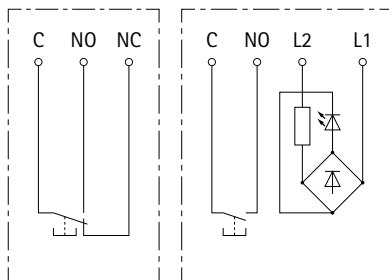
**Please note:** For mounting we recommend the SCHAEFER Mounting Tool Style 45.

# WIRING DIAGRAM

## Wiring diagram · B 45/D 45 NA

B 45 Q/R IX NA

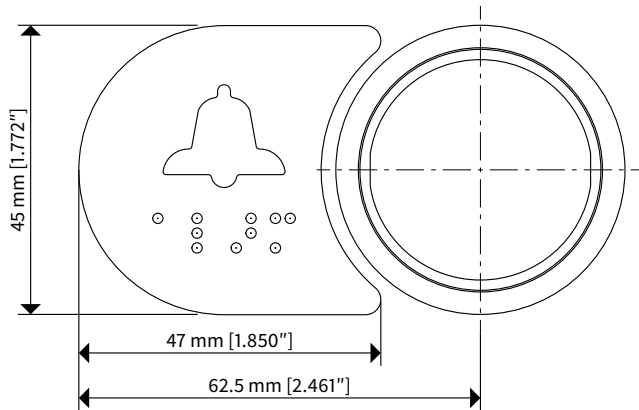
D 45 Q/R IX NA



**Please note:** Set the desired luminous color via **LED color selector (rotary switch)** on the rear side.  
 0 = Not available, 1 = Red, 2 = Blue, 3 = Pink (rich), 4 = Green, 5 = Amber, 6 = Aqua, 7 = Not available, 8 = White, 9 = Pink (light)

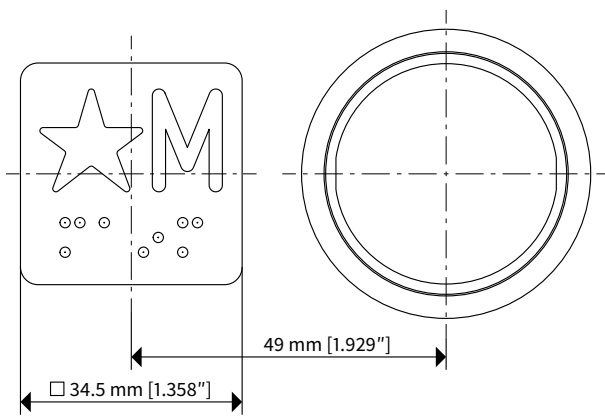
# TACTILES

## Labels • B 45/D 45 NA



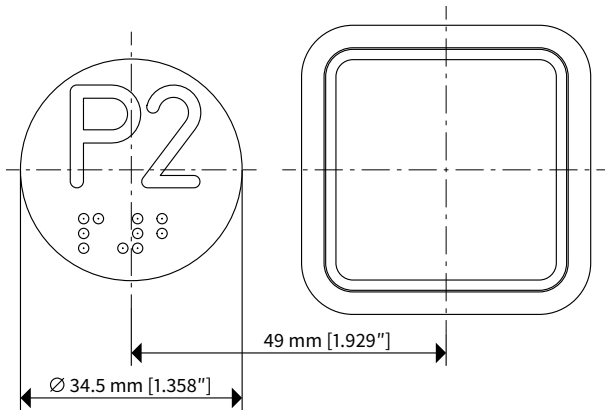
### Inlay Label 45 R (fishtail)

Material: Aluminum, anodized, EV6 black •  
St. steel, matted • St. steel, #8 mirrored •  
St. steel, #8 mirrored, black  
Marking: Embossing with Braille



### Inlay Label 34 Q (square)

Material: Aluminum, anodized, EV6 black •  
St. steel, matted • St. steel, #8 mirrored •  
St. steel, #8 mirrored, black  
Marking: Embossing with Braille



### Inlay Label 34 R (round)

Material: Aluminum, anodized, EV6 black •  
St. steel, matted • St. steel, #8 mirrored •  
St. steel, #8 mirrored, black  
Marking: Embossing with Braille

SCHAEFER tactiles comply with ADA standards and feature high contrast and large identifications.

### SCHAEFER Elevator Components Inc.

#110 – 19347 24 Ave | Surrey, BC, V3Z 3S9 | Canada

Phone +1 778 731-2345 | Fax +1 778 731-2346 | Toll Free +1 844 351-2345

InfoCanada@ws-schaefer.com | <https://schaefer-canada.com>



<https://schaefer-canada.com>