

# SCHAEFER



## PRODUCT INFORMATION

Pushbuttons EB 42 XI bicolor NA  
Indicators ED 42 XI NA



**E469509**  
Elevator Accessory

# EB 42/ED 42 NA

## ELLIPTICAL STANDARD SIZE PUSHBUTTON AND INDICATOR SERIES



### FEATURES AT A GLANCE

- » Elegant elliptic pushbuttons and indicators
- » Pushbuttons with two contacts (SPST (NO) and SPDT) and bicolor acknowledgement lighting
- » Multi-Volt / Multi-Color LEDs
- » Color of permanent / acknowledgement lighting changeable on site via color selector
- » 30 luminous colour combinations settable
- » Studless mounting via locking ring

# FOR THAT SPECIAL TOUCH IN ELEVATORS

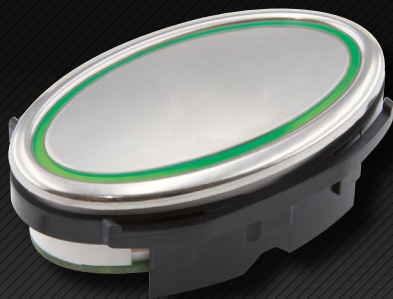
**APPLICATION** » ELLIPTICAL OPERATING AND INDICATING ELEMENTS FOR ELEVATORS



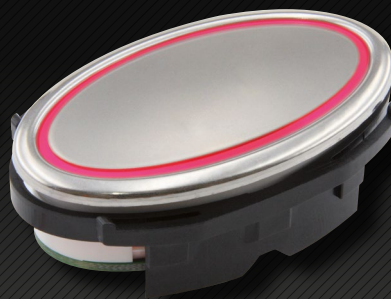
Elegant and peppy: elliptic operating and indicating elements, elegantly curved faceplates, consequent style with added key switches, displays and grilles. The elegant EPSILON product line leaves no desires unfulfilled. It embodies the possibility of smart fixtures and dynamic design.

The slightly convex touch plates are surrounded by a chrome-colored matted or mirrored material. A further accent is set by the recall light, as a luminous rim.

<https://schaefer-canada.com/products/components/eb-42.html>



Pushbutton **EB 42 XI bicolor NA**  
with mirrored st. steel housing rim



Pushbutton **EB 42 XI bicolor NA**  
with mirrored st. steel housing rim



Indicator **ED 42 XI NA**  
with inlay film

# TECHNICAL SPECIFICATIONS

## Technical specifications · EB 42/ED 42 NA


	EB 42 XI bicolor NA	ED 42 XI NA
<b>Mounting</b>		
Locking ring	✓	✓
Faceplate thickness	1.5 – 9 mm [0.059 – 0.354"]	1.5 – 9 mm [0.059 – 0.354"]
Installation depth	27.5 mm [1.083"]	27.5 mm [1.083"]
<b>Wiring</b>		
Screw terminal	2, 3, 4 poles	2 poles
Wire gauge	0.1 – 2 mm <sup>2</sup> [AWG 28 – 14]	0.1 – 2 mm <sup>2</sup> [AWG 28 – 14]
Wire material	Cu	Cu
Torque	0.25 Nm [2.2 lbf inch]	0.25 Nm [2.2 lbf inch]
<b>Switching element</b>		
Snap switch	✓	✗
Actuating force	5 N [1.124 lbf]	✗
Stroke	0.8 mm [0.031"]	✗
<b>SPST (NO) contact</b>	<b>1</b>	–
Electrical rating	0.7 A/120 V AC 0.05 A/120 V DC 2 A/30 V DC	✗
<b>SPDT contact</b>	<b>1</b>	–
Electrical rating	0.7 A/120 V AC 0.05 A/120 V DC 2 A/30 V DC	✗
<b>Electrical data</b>		
P	0.2 – 0.4 W	0.2 – 0.4 W
<b>LED</b>		
U	30 – 120 V AC / 12 – 120 V DC	30 – 120 V AC / 12 – 120 V DC
U (option)	6 V DC	6 V DC
I	30 mA	30 mA
<b>Miscellaneous</b>		
Degree of protection <sup>(1)</sup>	IP 40	IP 40
Average service life tested	5,000,000 operations	–
Operating temperature range	0 – 55 °C [32 – 131 °F]	0 – 55 °C [32 – 131 °F]
<b>Standard compliance</b>		
Enclosure rating (UL/CSA)	Type 1	Type 1
EN 81-20	✓	✓
EN 81-70 <sup>(2)</sup>	✓	✓

(1) According to standard DIN EN 60529

(2) **Please note:** To meet the standard EN 81-70 embossed signs/symbols are required (e. g. embossed directly onto the touchplate or in combination with tactile labels).

# AVAILABLE OPTIONS

## Available options · EB 42/ED 42 NA

	EB 42 XI bicolor NA	ED 42 XI NA
<b>Housing rim</b>		
37 Stainless steel, #8 mirrored	✓	✓
38 Stainless steel, #8 mirrored, TiN coated	on request	on request
39 Stainless steel, #8 mirrored, black	on request	on request
<b>Touchplate / Plate</b>		
01 Stainless steel, matted	✓	✓
02 Stainless steel, matted, TiN coated	on request	✗
03 Stainless steel, #8 mirrored, black	on request	✗
04 Stainless steel, #8 mirrored	on request	✗
05 Stainless steel, #8 mirrored, TiN coated	on request	✗
08 Aluminum (AlMg), anodized, EV6 black	on request	✗
15 Stainless steel, matted, anti fingerprint	on request	✗
16 Copper (Cu), hygienic material	on request	✗
17 Stainless steel, matted, ivory, hygienic material	on request	✗
20 Polycarbonate, crystal clear	✗	✓
21 Polycarbonate, red	✗	✓
<b>LED Color</b>		
70  RGB <sup>(3)</sup>	✓	✓
<b>Marking</b>		
00 Without	✓	✓
01 Engraving	✓	✓
02 Laser	✓	✓
03 Embossing without Braille	✓	✗
20 Inlay film	✗	✓
<b>LED Voltage</b>		
30 – 120 V AC / 12 – 120 V DC	✓	✓
6 V DC	✓	✓

(3) **Please note:** Set the desired luminous color via **LED color selector (rotary switch)** on the rear side. Recommended LED color combinations see table (only bicolor with 2 selectors).

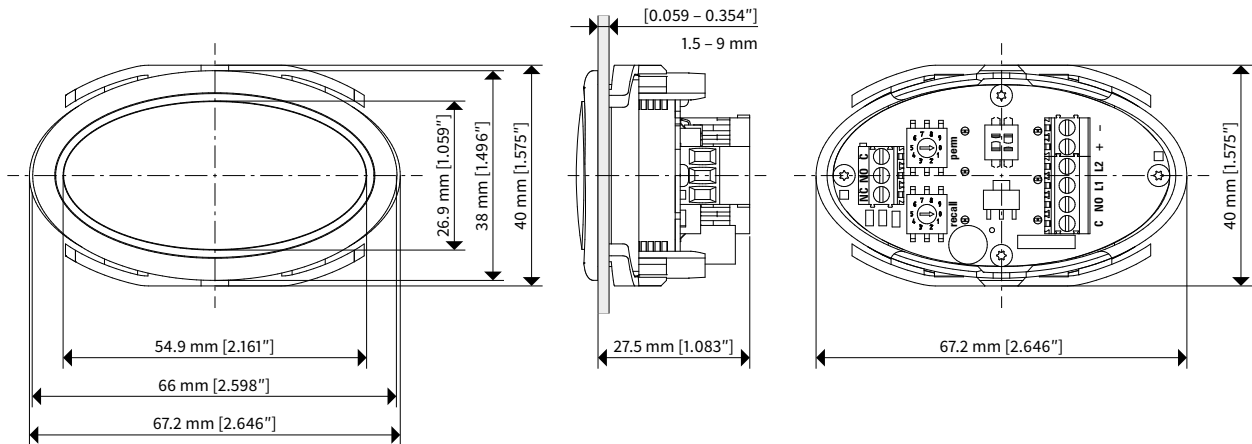
- |                   |                   |
|-------------------|-------------------|
| 0 ✗ Not available | 5 ● Amber         |
| 1 ● Red           | 6 ● Aqua          |
| 2 ● Blue          | 7 ✗ Not available |
| 3 ● Pink (rich)   | 8 ○ White         |
| 4 ● Green         | 9 ● Pink (light)  |

		LED recall								
		1	2	3	4	5	6	8	9	
LED perm	1	✗	✓	✗	✓	✗	✓	✓	✗	
	2	✓	✗	✗	✓	✓	✗	✓	✓	
	3	✗	✗	✗	✓	✗	✗	✓	✗	
	4	✓	✓	✓	✗	✗	✗	✓	✓	
	5	✗	✓	✗	✗	✗	✗	✓	✗	
	6	✓	✗	✗	✗	✗	✗	✓	✓	
	8	✓	✓	✓	✓	✓	✓	✗	✗	
	9	✗	✓	✗	✓	✗	✓	✗	✗	

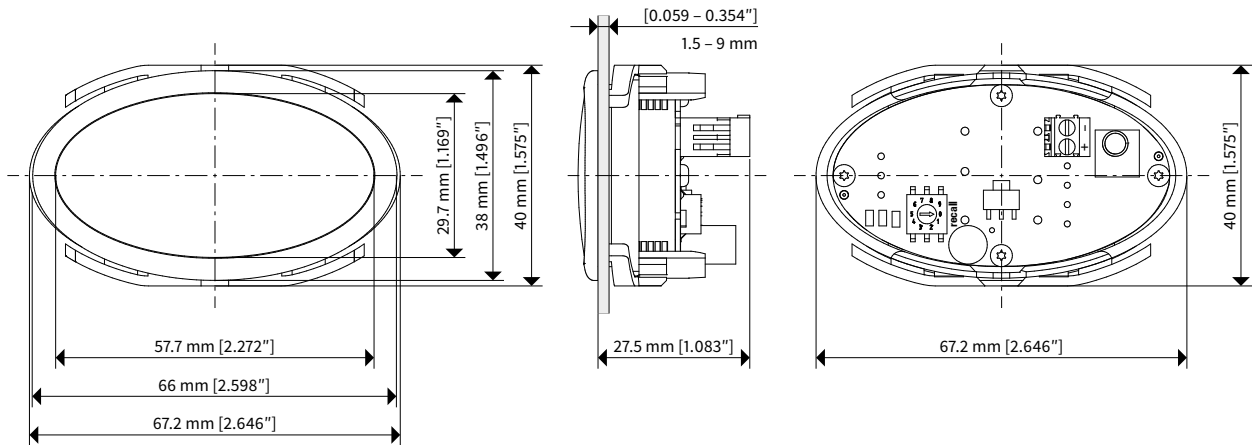
# DIMENSIONS

## Dimensions · EB 42/ED 42 NA

Pushbutton EB 42 XI bicolor NA



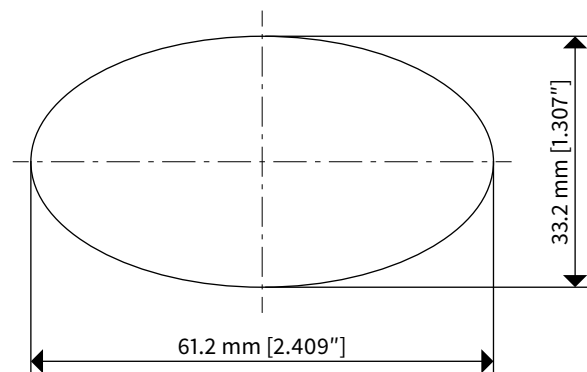
Indicator ED 42 XI NA



# CUTOUT

## Cutout · EB 42/ED 42 NA

Pushbutton EB 42 XI bicolor NA · Indicator ED 42 XI NA

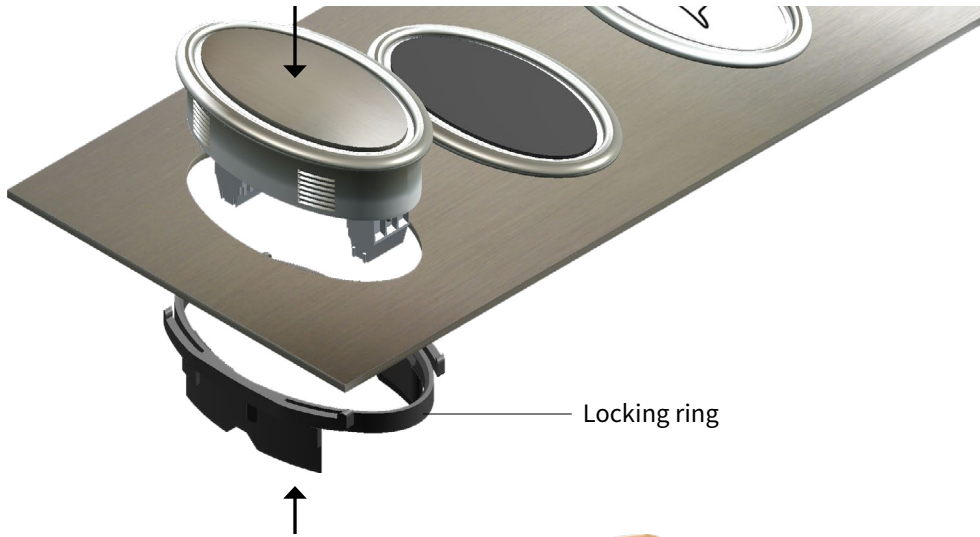


Cutout tolerances: +0.05 mm / -0 mm [+0.002" / -0"]

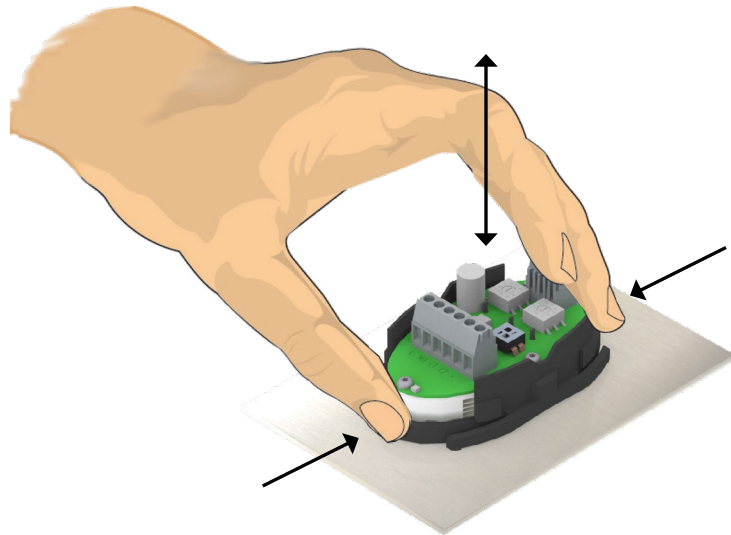
# MOUNTING

## Mounting · EB 42/ED 42 NA

Studless mounting via locking ring



To fasten the locking ring, press it in from the sides and attach to the housing. To remove the locking ring, press it in from the sides and remove it from the housing.

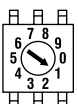
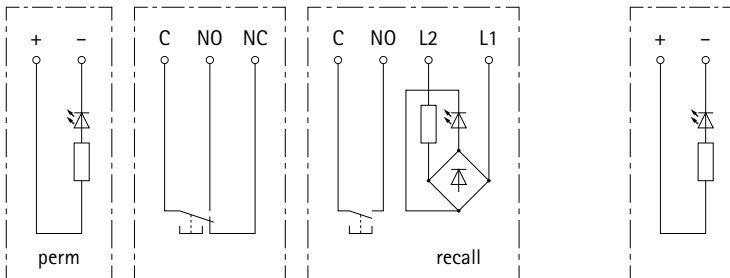


# WIRING DIAGRAM

## Wiring diagram · EB 42/ED 42 NA

EB 42 XI bicolor NA

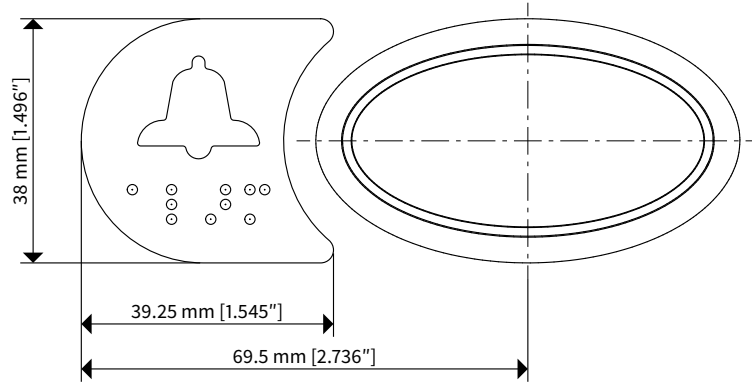
ED 42 XI NA



**Please note:** Set the desired luminous color via **LED color selector (rotary switch)** on the rear side.  
 0 = Not available, 1 = Red, 2 = Blue, 3 = Pink (rich), 4 = Green, 5 = Amber, 6 = Aqua, 7 = Not available,  
 8 = White, 9 = Pink (light)

# TACTILES

## Labels • EB 42/ED 42 NA



### Inlay Label 42 R (fishtail)

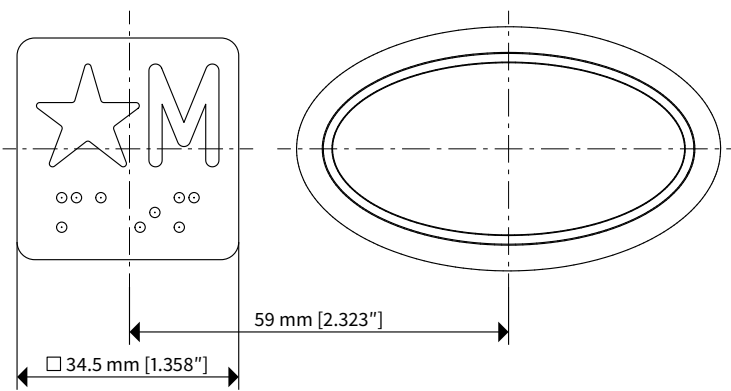
Material: Aluminum, anodized, EV6

black • St. steel, matted •

St. steel, #8 mirrored • St. steel,

#8 mirrored, black

Marking: Embossing with Braille



### Inlay Label 34 Q (square)

Material: Aluminum, anodized, EV6

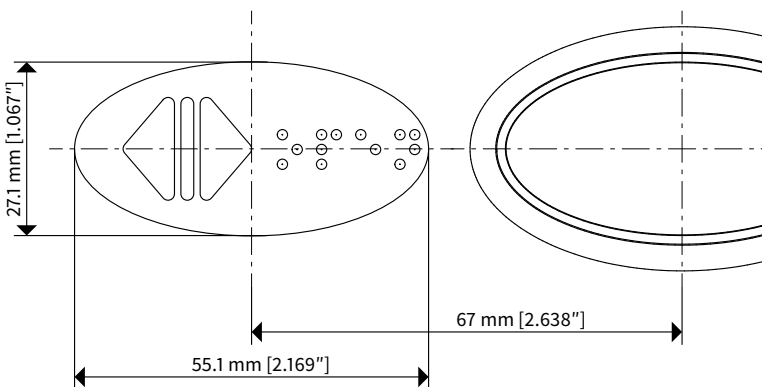
black • St. steel, matted •

St. steel, #8 mirrored • St. steel,

#8 mirrored, black

Marking: Embossing with Braille

Option: Inlay Label 34 R (round)



### Inlay Label Epsilon (elliptical)

Material: Aluminum, anodized, EV6

black • St. steel, matted •

St. steel, #8 mirrored • St. steel,

#8 mirrored, black

Marking: Embossing with Braille

SCHAEFER tactiles comply with ADA standards and feature high contrast and large identifications.

### SCHAEFER Elevator Components Inc.

#110 – 19347 24 Ave | Surrey, BC, V3Z 3S9 | Canada

Phone +1 778 731-2345 | Fax +1 778 731-2346 | Toll Free +1 844 351-2345

InfoCanada@ws-schaefer.com | <https://schaefer-canada.com>



<https://schaefer-canada.com>