

# SCHAEFER



## PRODUCT INFORMATION

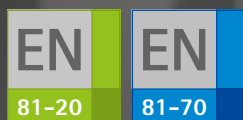
Pushbuttons RT 42 IX NA • RT 42 IX bicolor NA • RT 42 2M XI NA  
Indicators RA 42 IX NA



**E469509**  
Elevator Accessory

# RT 42/RA 42 NA

## ROUND STANDARD SIZE PUSHBUTTON AND INDICATOR SERIES



### FEATURES AT A GLANCE

- » Popular standard sized pushbutton and indicator series fitting a 32.5 mm [1.280"] diameter cutout
- » Studless mounting via locking ring
- » Multi-Volt LEDs
- » Standard or bicolor acknowledgement lighting
- » 2M pushbutton with two contacts (SPST (NO) and SPDT) available

# VERSATILITY WITHOUT LIMITS

## ADVANTAGES » HIGH DIVERSITY IN THE SELECTION OF MATERIALS AND OPTIONS



This pushbutton and indicator series have been designed as a flexible, all purpose solution, ideal for all elevator installations. The components can be easily mounted to the faceplate without welding studs. A great variety of options is available for customization. Manifold combinations of basic element, material, recall light and marking options as well as a variety of matching products of the same style add to the vast

choice within this pushbutton and indicator series. The pushbuttons RT 42 IX NA and indicators RA 42 IX NA have a large screw terminal and are available as multi-volt versions 12–120 V DC/30–120 V AC with expanded voltage range or 6 V DC. As a result, they are above all suitable for unproblematic exchange in service operation and for use in modernisation.

<https://schaefer-canada.com/products/components/rt-42.html>



Pushbutton **RT 42 IX NA**  
with mirrored st. steel housing rim



Pushbutton **RT 42 IX bicolor NA**  
with mirrored st. steel housing rim



Indicator **RA 42 IX NA**  
with inlay film

# TECHNICAL SPECIFICATIONS

## Technical specifications · RT 42/RA 42 NA

	RT 42 IX NA	RT 42 IX bicolor NA	RT 42 2M XI NA	RA 42 IX NA
<b>Mounting</b>				
Clip fixing	✓	✓	✓	✓
Faceplate thickness	1.5 – 8 mm [0.059 – 0.315"]	1.5 – 8 mm [0.059 – 0.315"]	1.5 – 8 mm [0.059 – 0.315"]	1.5 – 8 mm [0.059 – 0.315"]
Installation depth	29 mm [1.142"]	25 mm [0.984"]	25 mm [0.984"]	29 mm [1.142"]
<b>Wiring</b>				
Screw terminal	4 poles	2, 4 poles	3, 4 poles	4 poles
Wire gauge	0.1 – 2 mm <sup>2</sup> [AWG 28 – 14]	0.1 – 1 mm <sup>2</sup> [AWG 28 – 18]	0.1 – 1 mm <sup>2</sup> [AWG 28 – 18]	0.1 – 2 mm <sup>2</sup> [AWG 28 – 14]
Wire material	Cu	Cu	Cu	Cu
Torque	0.25 Nm [2.2 lbf inch]	0.17 Nm [1.5 lbf inch]	0.17 Nm [1.5 lbf inch]	0.25 Nm [2.2 lbf inch]
<b>Switching element</b>				
Snap switch	✓	✓	✓	✗
Actuating force	5 N [1.124 lbf]	5 N [1.124 lbf]	5 N [1.124 lbf]	✗
Stroke	0.5 – 0.8 mm [0.020 – 0.031"]	0.5 – 0.8 mm [0.020 – 0.031"]	1.5 mm [0.059"]	✗
<b>SPST (NO) contact</b>	<b>1</b>	<b>1</b>	<b>1</b>	—
Electrical rating	0.7 A/120 V AC 0.05 A/120 V DC 2 A/30 V DC	0.05 A/12 – 30 V AC 0.05 A/12 – 30 V DC	0.5 A/30 V AC 0.5 A/30 V DC	✗
<b>SPDT contact</b>	—	—	<b>1</b>	—
Electrical rating	✗	✗	1 A/50 V AC 0.5 A/30 V DC	✗
<b>LED</b>				
U	30 – 120 V AC/12 – 120 V DC	12 – 30 V DC	30 V AC/DC	30 – 120 V AC/12 – 120 V DC
U (option)	6 V DC	30 – 48 V DC	12 V AC/DC 6 V DC	6 V DC
I	40 mA	45 mA	40 mA	40 mA
<b>Miscellaneous</b>				
Degree of protection <sup>(1)</sup>	IP 40	IP 40	IP 40	IP 40
Average service life tested	5,000,000 operations	5,000,000 operations	5,000,000 operations	—
Operating temperature range	0 – 55 °C [32 – 131 °F]	0 – 55 °C [32 – 131 °F]	0 – 55 °C [32 – 131 °F]	0 – 55 °C [32 – 131 °F]
<b>Standard compliance</b>				
Enclosure rating (UL/CSA)	Type 1	Type 1	Type 1	Type 1
EN 81-20	✓	✓	✓	✓
EN 81-70 <sup>(2)</sup>	✓	✓	✓	✓

(1) According to standard DIN EN 60529

(2) **Please note:** To meet the standard EN 81-70 embossed signs/symbols are required (e. g. embossed directly onto the touchplate or in combination with tactile labels).

# AVAILABLE OPTIONS

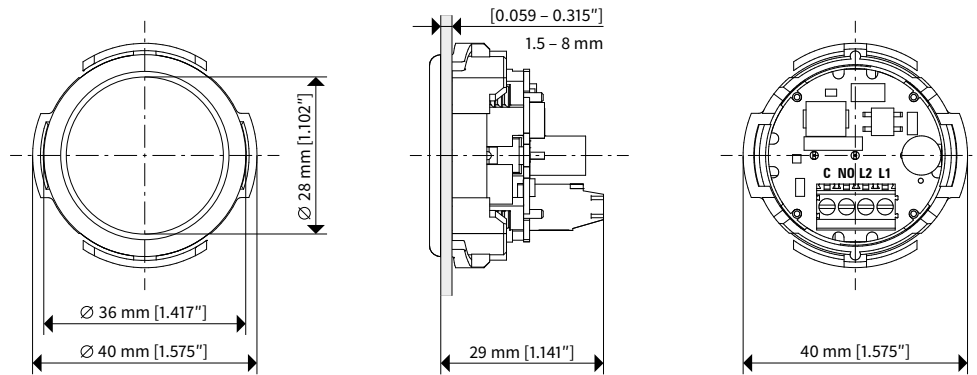
## Available options · RT 42/RA 42 NA

	RT 42 IX NA	RT 42 IX bic. NA	RT 42 2M XI NA	RA 42 IX NA
<b>Housing rim</b>				
20	Stainless steel, #8 mirrored	✓	✓	✓
21	Stainless steel, #8 mirrored, TiN coated	on request	on request	on request
22	Stainless steel, #8 mirrored, black	on request	on request	on request
23	Stainless steel, #8 mirrored, bronze color	on request	on request	on request
<b>Touchplate / Plate</b>				
01	Stainless steel, matted	✓	✓	✓
02	Stainless steel, matted, TiN coated	on request	on request	✗
03	Stainless steel, #8 mirrored, black	on request	on request	✗
04	Stainless steel, #8 mirrored	on request	on request	✗
05	Stainless steel, #8 mirrored, TiN coated	on request	on request	✗
08	Aluminum (AlMg), anodized, EV6 black	on request	on request	✗
15	Stainless steel, matted, anti fingerprint	on request	on request	✗
16	Copper (Cu), hygienic material	on request	on request	✗
17	Stainless steel, matted, ivory, hygienic material	on request	on request	✗
20	Polycarbonate, crystal clear	✗	✗	✓
21	Polycarbonate, red	✗	✗	✓
<b>LED Color</b>				
10	● Red	✓	✗	✓
20	● Blue	✓	✗	✓
30	● Green	✓	✗	✓
40	○ White	✓	✗	✓
50	● Amber	✓	✗	✓
13	●● Red / Green (bicolor)	✗	✓	✗
23	●● Blue / Green (bicolor)	✗	✓	✗
25	●● Blue / Amber (bicolor)	✗	✓	✗
31	●● Green / Red (bicolor)	✗	✓	✗
42	○● White / Blue (bicolor)	✗	✓	✗
<b>Marking</b>				
00	Without	✓	✓	✓
01	Engraving	✓	✓	✓
02	Laser	✓	✓	✓
03	Embossing without Braille	✓	✓	✗
20	Inlay film	✗	✗	✓
<b>LED Voltage</b>				
	30 – 120 V AC / 12 – 120 V DC	✓	✗	✓
	6 V DC	✓	✗	✓
	12 – 30 V DC	✗	✓	✗
	30 – 48 V DC	✗	✓	✗
	30 V AC / DC	✗	✗	✓
	12 V AC / DC	✗	✗	✓

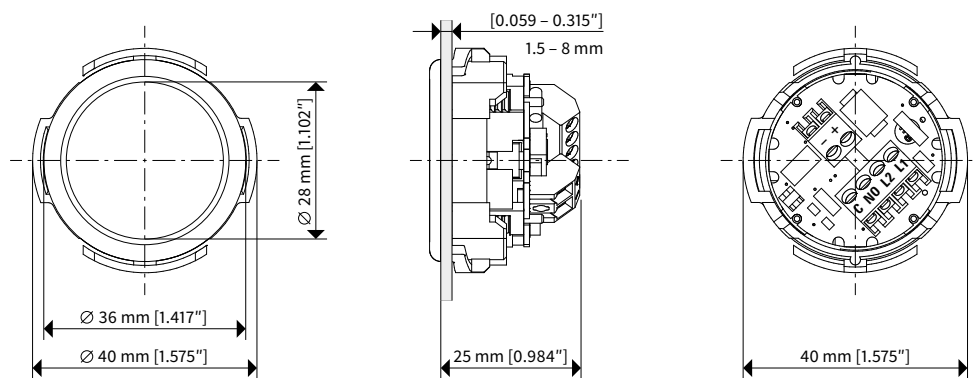
# DIMENSIONS

## Dimensions · RT 42/RA 42 NA

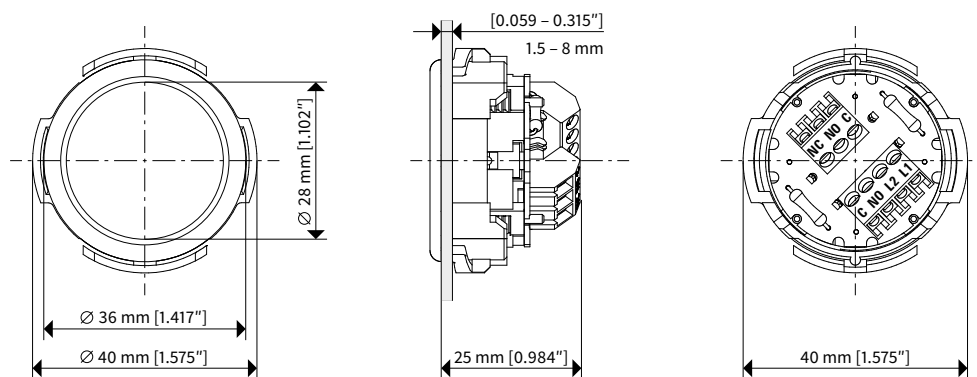
Pushbutton RT 42 IX NA



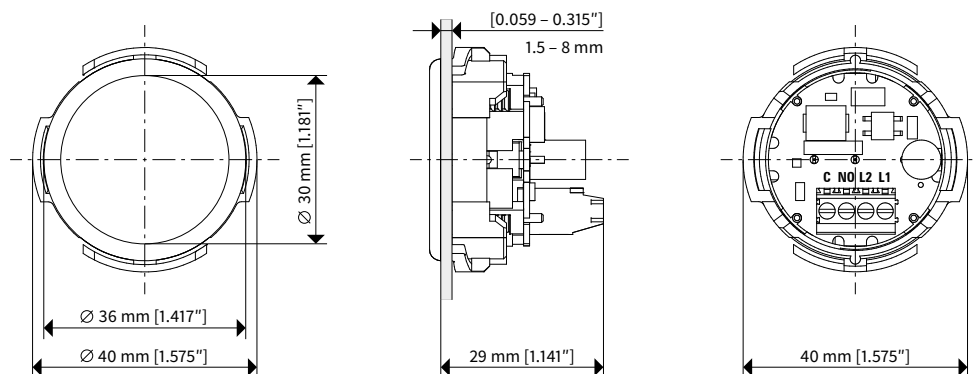
Pushbutton RT 42 IX bicolor NA



Pushbutton RT 42 2M XI NA



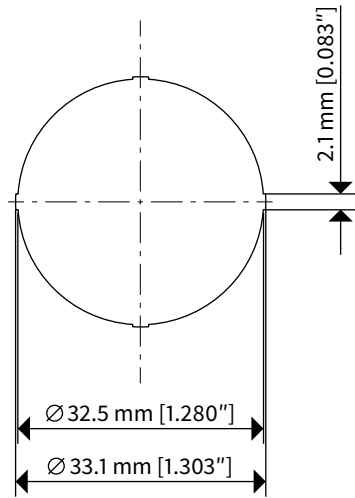
Indicator RA 42 IX NA





# CUTOUT & MOUNTING

## Cutout & Mounting · RT 42/RA 42 NA



### Cutout tolerances:

+0.05 mm / -0 mm [+0.002" / -0"]

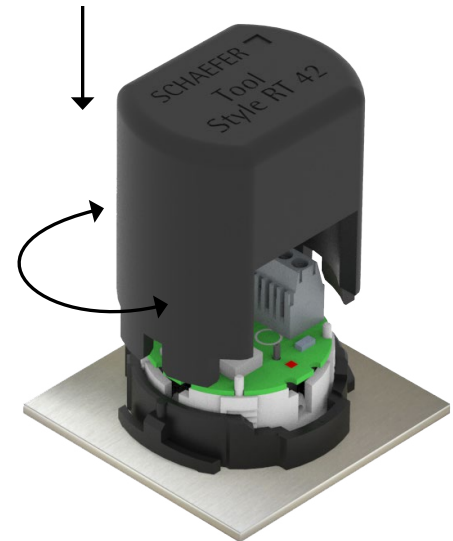
**Please note:** For mounting we recommend the SCHAEFER Mounting Tool Style 42.

### Studless mounting via locking ring



Locking ring in clockwise direction

Unlocking ring in counter-clockwise direction



# WIRING DIAGRAM

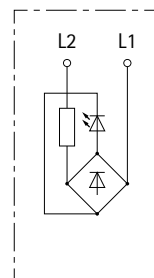
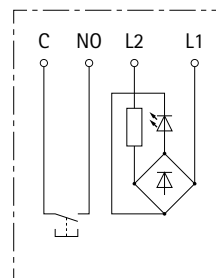
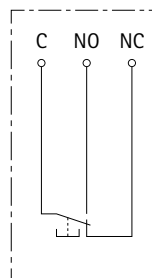
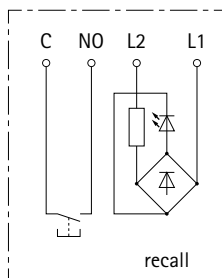
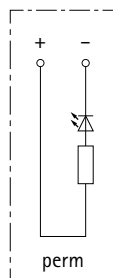
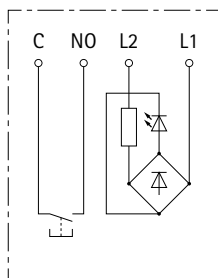
## Wiring diagram · RT 42/RA 42 NA

RT 42 IX NA

RT 42 IX bicolor NA

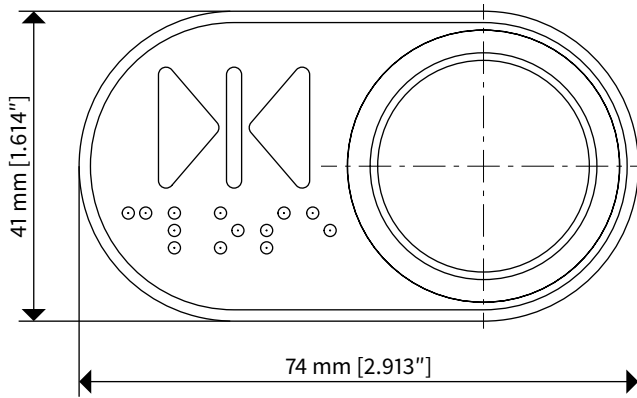
RT 42 2M XI NA

RA 42 IX NA



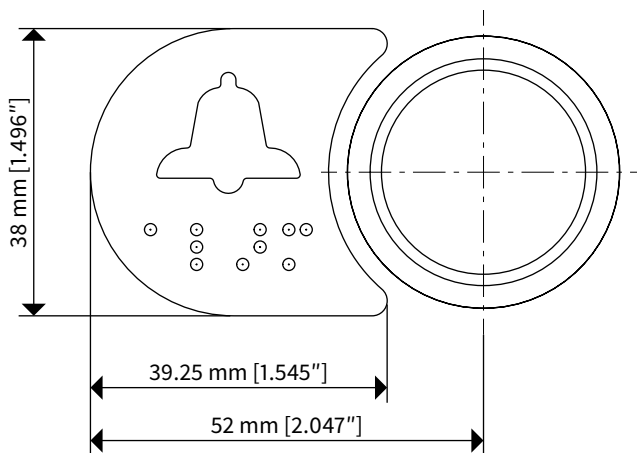
# TACTILES

## Labels • RT 42/RA 42 NA



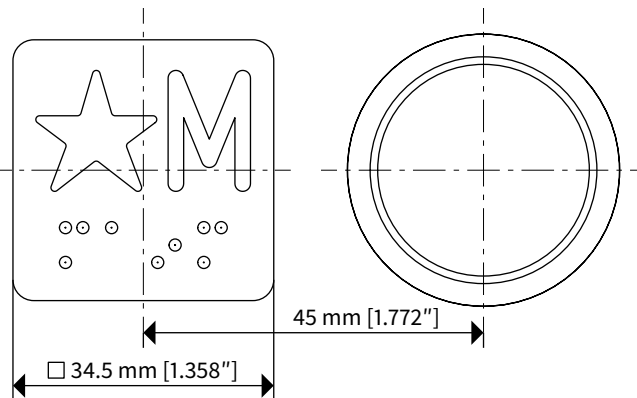
### Label 42 R (surrounding)

Material: Aluminum, anodized, EV6 black •  
St. steel, matted • St. steel, #8 mirrored •  
St. steel, #8 mirrored, black  
Marking: Embossing with Braille



### Inlay Label 42 R (fishtail)

Material: Aluminum, anodized, EV6 black •  
St. steel, matted • St. steel, #8 mirrored •  
St. steel, #8 mirrored, black  
Marking: Embossing with Braille



### Inlay Label 34 Q (square)

Material: Aluminum, anodized, EV6 black •  
St. steel, matted • St. steel, #8 mirrored •  
St. steel, #8 mirrored, black  
Marking: Embossing with Braille  
Option: Inlay Label 34 R (round)

SCHAEFER tactiles comply with ADA standards and feature high contrast and large identifications.

### SCHAEFER Elevator Components Inc.

#110 – 19347 24 Ave | Surrey, BC, V3Z 3S9 | Canada

Phone +1 778 731-2345 | Fax +1 778 731-2346 | Toll Free +1 844 351-2345

InfoCanada@ws-schaefer.com | <https://schaefer-canada.com>



<https://schaefer-canada.com>